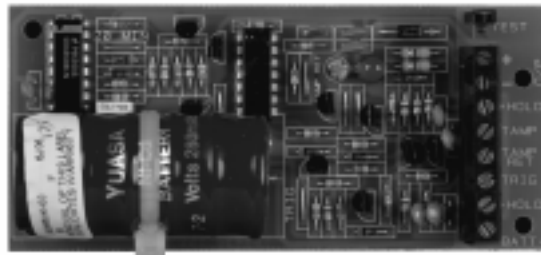


# 9066

## Installation Guide

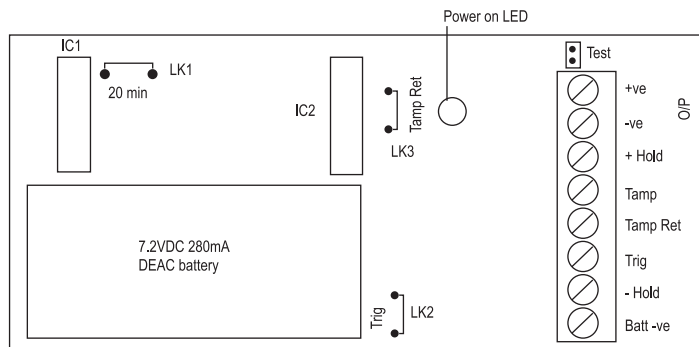


### **Compatible Equipment**

All Scantronic control panels.

## Introduction

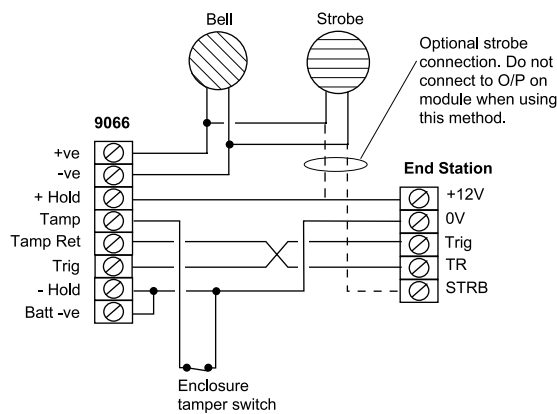
The 9066 bell module has been designed to replace any standard bell module in external bells/sounders. The printed circuit board (pcb) has mounting holes for fitting into the standard "Eurobell" base and is supplied with plastic mounting pillars.



## Technical Specification

Dimensions	h x w x d 50 x 110 x 27mm.
Battery	7.2VDC DEAC, 280mA.
Quiescent Current	30mA (battery charged), 45mA (battery charging).
Output Current	500mA (approx) @ 7.2VDC
Run Time	20 +/-4 minutes.

## Wiring



9066

*Note: When installing the module ensure that the unit is fully connected to the control panel before attempting to carry out its normal operational tests. Make sure that the bell box tamper switch is closed and that you have fitted the battery link. The built-in cut off timer will not reset until you have completed all wiring.*

## **Options**

### **Trigger**

When supplied from the factory the module requires "removal of -ve" to trigger. To change the trigger to "apply -ve" cut link marked "Trig".

### **Run Time**

The module has a built in 20 minute cut-off timer. If you require continuous (untimed) operation then cut the link marked "LK1"

### **Tamper Return**

The module operates with negative tamper return. If you require positive tamper return cut link "LK3".

## **Testing**

To test the cut off-timer place a jumper over the pins marked "Test". Once triggered, the module will run for 15 seconds and then cut off. Remove the jumper to restore the run time to 20 minutes.

