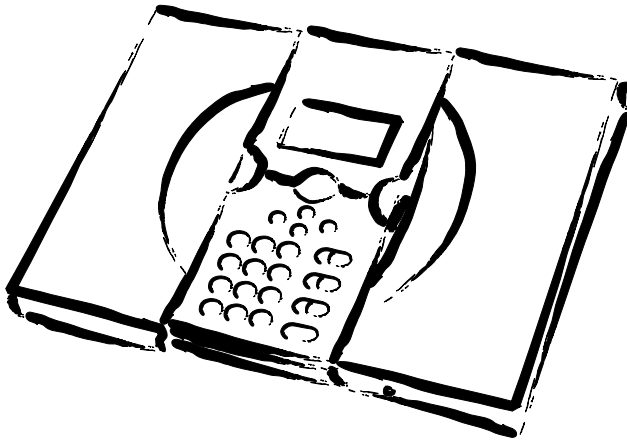


Homelink 75

Security System Installation and Programming Guide



For DD243:2004 Compliant Installations

© Cooper Security Ltd. 2006

Every effort has been made to ensure that the contents of this book are correct. However, neither the authors nor Cooper Security Limited accept any liability for loss or damage caused or alleged to be caused directly or indirectly by this book. The contents of this book are subject to change without notice.

Printed and published in the U.K.

This manual applies to software used in the 7510r control unit with version 3.0x software.

Contents

Introduction	1
Overview	1
A Tour of the Control Unit.....	2
Controls and Displays	2
Opening the Case.....	3
Controls and Connectors	4
Technical Specification	5
Specification.....	5
General	5
Security.....	5
Radio	5
Communications	6
Power Supply	7
Electromagnetic Compatibility	7
Outputs.....	7
Inputs	7
Fuses	7
Electrical Safety	7
Compliance Statements.....	7
Compatible Equipment	8
Installation	9
Tools Required	9
1. Insert Blanking Plates	9
2. Fix the Wall Plate.....	10
3. Connect to Mains.....	10
4. Connect Wired Detectors (Optional)	11
5. Connect to Telephone Line (Optional)	11
6. Remote Loudspeaker/Microphone (Optional).....	12
Tone Volume	12
7. Fit Battery	13
8. Assemble and Close Control Unit.....	13
Commissioning the System.....	14
Programming	15
Entering Installer Menu	15
Leaving the Installer Menu.....	15
Restoring the Access Codes (1 st stage Reset)	15
Restoring All Factory Default Programming	16
Detectors	17
Add/Del Detector	17
Deleting a Single Detector	18
Edit Zones.....	18
Outputs	23
Teaching Radio Receivers	24
Edit Outputs	24
Other Devices	27
External Siren.....	27
Info Module.....	29
WAM Module.....	30
Arming Station.....	33
Partitions	35
Partition Name.....	35
Exit Mode.....	35
Exit Time/Entry Time	36
Alarm Response	36
Part Set Exit Mode.....	37
Part Set Final Exit As	37
Part Set Entry Route As.....	37
Strobe on Set (770r only).....	37

Strobe on Unset (770r only).....	37
System Options	38
User Access	38
Remote Access.....	39
Language	40
Restore Defaults.....	40
Installer Code	41
Tcmd needs Entry.....	41
PA Response	41
Auto Rearm	42
Siren Delay.....	42
Siren Time.....	42
Stray on Entry Delay	43
Supervision	43
Jamming Detection	44
Batt Load Test.....	44
Siren in Part Set	44
Force Set	44
RF Siren Options	45
Panel Siren	45
Alarm Confirmation.....	46
IP Network.....	47
Downloading	48
Account Name.....	48
Connection Type.....	49
Rings to Answer	49
Answer On One Ring (Answer phone defeat).....	49
Access Mode	50
Phone Book	51
IP Network	51
Secure Callback.....	52
Modem Baud Rate	52
Reporting.....	52
Alarms (ARC Reporting).....	53
Social Care Reporting.....	62
Speech Dialler.....	65
SMS Reporting	69
Line Fail Reporting	72
Primary Telecoms	73
Social Care.....	73
Start Monitoring At/End Monitoring At.....	73
Monitoring Interval	73
Set Volume.....	73
Testing	74
View Log.....	76
Appendix A: DD243 Compliance.....	77
Applicability	77
Setting (Clause 6.3).....	77
Unsetting (Clause 6.4)	78
Sounders and Status Indication	78
BS 8473: 2006.....	79
Alarm Filtering	79
Appendix B: Glossary.....	80

Introduction

Overview

The 7510r is the control unit for a Homelink 75 security system. The 7510r provides the user with an array of features designed for domestic users. These include social alarm monitoring, activity alarm monitoring, direct communication to mobile telephones and voice messaging.

Fitted as standard within the plastic enclosure are all of the features required for an alarm system control unit including keypad, graphic display, high output siren, power supply and stand-by batteries. Supplementing these features, and also fitted as standard, are an integral speech dialler and modem communicator supporting all major alarm formats, a proximity tag reader, speech recording and playback facilities, user voice prompts and a microphone providing remote listen-in capabilities.

A comprehensive range of wireless peripherals is available for operation with the control panel. These include a door contact/universal transmitter, a passive infra red detector, smoke detector, radio siren, 4 button telecommand, panic alarm, single button pendant transmitter, remote arming station, remote information module, and output modules. The panel supports 32 wireless alarm zones, 2 hardwired zones, 32 wireless outputs, 2 hardwired relay outputs, 16 four button telecommands, 16 panic buttons or pendants, and 50 users.

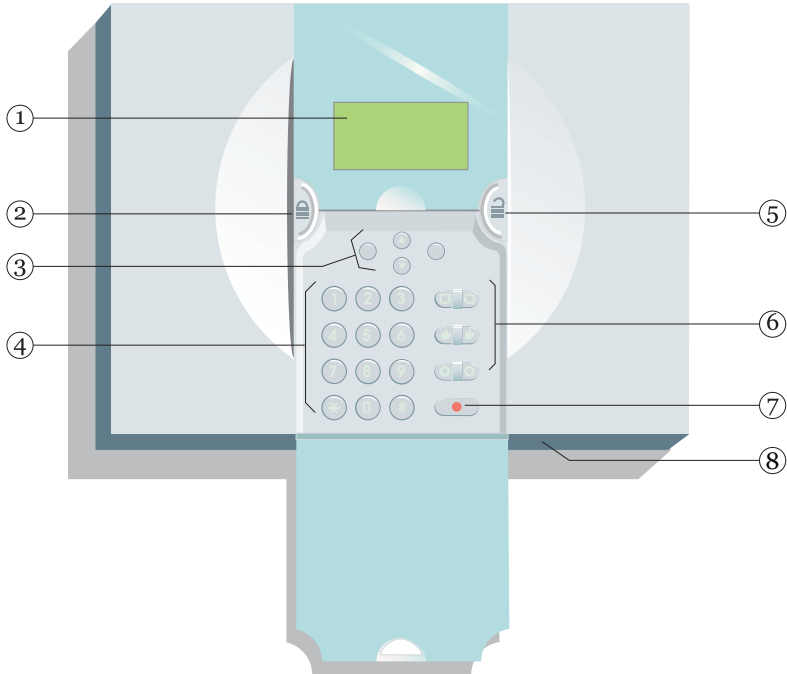
Optional devices include a plug-on GSM/SMS communicator, a plug-on IP (Internet Protocol) card, and a PC based Downloader programme for remote configuration, fault analysis and servicing.

This manual shows the simple procedure required to install the control unit. When you have completed the physical installation please consult the Programming section for details of configuring the system to meet your exact requirements.

A Tour of the Control Unit

Controls and Displays

Figure 1 shows the controls and displays available on the control unit.



1. LCD display (monochrome, 128x64 pixels).
2. Set key.
3. Navigation keys.
4. Numeric keypad.
5. Unset key.
6. Emergency keys.
7. Social alarm key.
8. Microphone aperture.

Figure 1. Controls and Displays

Opening the Case

To gain access to the interior of the control unit undo the two screws at the bottom of the case.

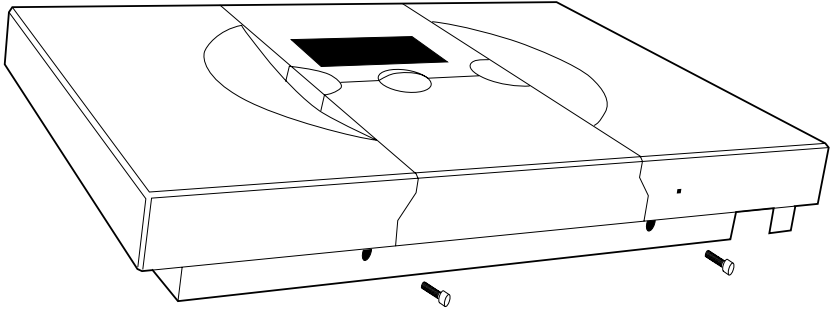


Figure 2. Screw Locations

Ease the body from the wall plate, see Figure 3.

Caution! Disconnect the ribbon cable from the wall plate before opening the case completely.

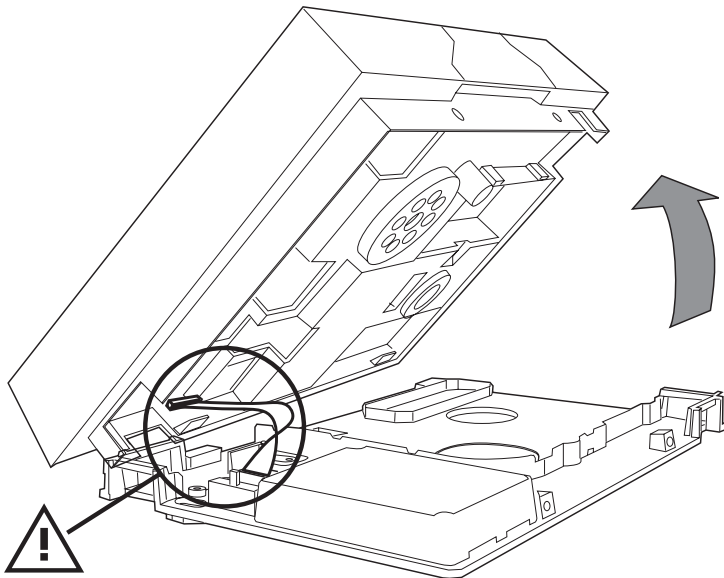
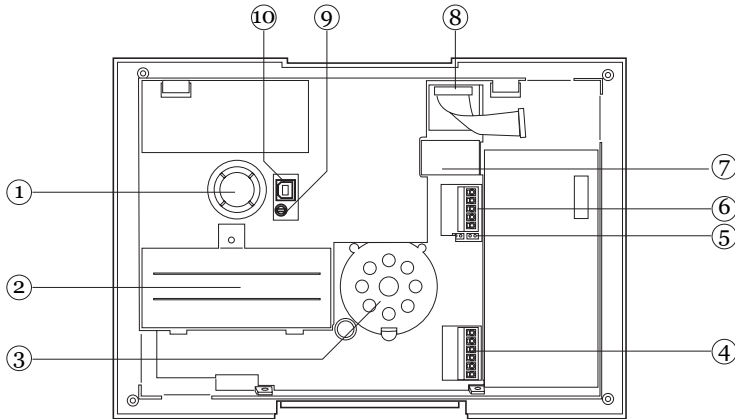


Figure 3. Internal Ribbon Cable

Controls and Connectors

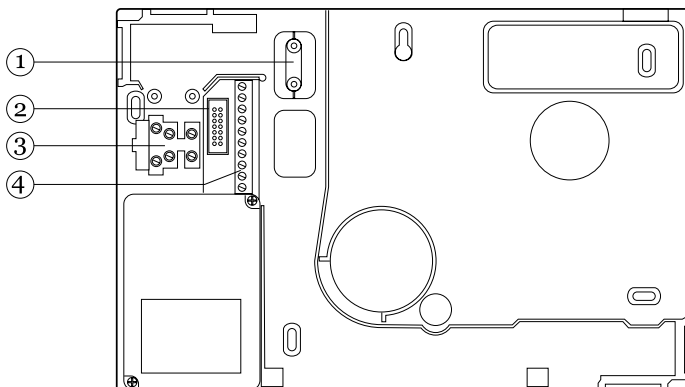
Figure 4 shows the connectors available in the body of the control unit.



- | | |
|-------------------------------|---|
| 1. Siren. | 6. External loudspeaker and microphone connector. |
| 2. Battery compartment. | 7. Access to plug on modules. |
| 3. Internal loudspeaker. | 8. Back plate ribbon cable and connector. |
| 4. Telephone line connector. | 9. Loudspeaker volume adjuster. |
| 5. Reset and Kick Start pins. | 10. USB Socket |

Figure 4. Connectors

Figure 5 shows the connectors available on the wall plate.



- | | |
|-------------------------------------|---------------------------------------|
| 1. Mains cable strain relief clamp. | 3. Mains connector. |
| 2. Ribbon cable connector. | 4. Wired zones and outputs connector. |

Figure 5. Wall Plate Connectors

Technical Specification

Specification

General

Product name	7510r.
Manufacturer	Cooper Security Ltd.
Environmental	Class II.
Operating temperature	Tested -10 to +55°C.
Dimensions	285mm W, 206mm H, 45mm D.
Weight	1.060 kg (without stand-by battery).
Case material	ABS.
Zones	2 wired, 32 radio.
Telecommands	16.
Pendants	16.
Outputs	2 wired, 32 radio.
Internal Clock	±10 minutes over one year (depending on the accuracy of the mains supply frequency).

Security

Security Grade	Grade 2.
Radio detector differs	16,777,214 (2 ²⁴ -2).
Radio Supervision	Programmable.
Access code	4 digits, all four digits may be any number 0 to 9, giving 10,000 differs.
Code blocking	Blocked for 90s after four incorrect codes in series.

Radio

Radio Section	Operating frequency 868.6625MHz Narrowband. EN 300 220-3. EN 300 330-2 Telefication
---------------	---

Transmitter range The range of the transmitters compatible with this control unit depends on the environment in which they are installed. As a guideline, most transmitters will work up to 200m range in free space conditions.

Communications

Speech messages can be configured to be up to 44s long (one 12s home message and four consecutive alarms messages of 8s each).

Built in PSTN

This product meets the performance criteria of D2, M2, S1 and IO as described in EN50136-1-1 subject to network conditions.

ATS rating	ATS 2 (EN50131-1)
PSTN	Scancom Fast Format, SIA I, SIA II, SIA 3 and SIA 3 Extended.
Social Alarm	Scancom, Scancom Fast Format, and Tunstall.

This product can share a PSTN line with other telephony or fax equipment.

GSM/ISDN/Ethernet/GPRS

Uses plug on module with proprietary interface between control unit and module.

Power Supply

The internal power supply is an off-line switching type. This product complies with the requirements of EN50131-6 Type A power supply at Grade 2 and environmental class 2.

Mains power supply	230VAC, 80mA max, 40mA min, +10%/-15%, 50/60Hz ±5%.
Standby Battery	6 x 1.2V 2000mAh AA rechargeable NiMH. Standby time: more than 12 hours. Max recharge time: less than 72 hours.
Monitoring includes	Mains fail, battery low voltage, battery failure.

Electromagnetic Compatibility

Immunity	Conforms to EN50130-4.
Emissions	Conforms to EN61000-6-3.

Outputs

O/P 1 & 2	Voltage free, single pole relay contacts rated 24VDC @ 1A or 120VAC @ 0.5A.
-----------	---

Inputs

Zone 33 and 34	Fully Supervised Loop.
----------------	------------------------

Fuses

The control unit has a T400mA mains fuse.

Electrical Safety

Conforms to EN60950-1.

Compliance Statements

This product is suitable for use in systems designed to comply with PD 6662: 2004 at grade 2X and environmental class II.

This product complies with the requirements of CLC/TS 50131-3:2003 at grade 2 and environmental class II.

This product complies with the requirements of EN50131-6:1997 at grade 2 and environmental class II.

This equipment is compliant with EN 50136-2-1:1998 and EN 50136-2-3:1998. It allows the alarm transmission system to meet the performance requirements of EN 50131-1:2006 ATS 2 provided that:

- a) It is installed in accordance with the installation instructions.
- b) The connected PSTN is functioning normally.
- c) The ARC is adequately equipped.

When programmed correctly this product complies with DD243:2004 as required by ACPO policy.

Compatible Equipment

701rEUR-50/60	Pendant Transmitter
702rEUR-00	Watch Pendant Transmitter
706rEUR-00	Two button PA/tilt switch transmitter
710rEUR-00	Two button PA
714rEUR-00	PIR Transmitter (Small case)
720rEUR-00	Smoke Detector Transmitter
722rEUR-00	Four button telecommand with PA
723rEUR-00	Four button telecommand
726rEUR-00/50	Two button PA Transmitter
734rEUR-00/01	Door Contact Transmitter
739rEUR-00	PC Board for glass break detectors
762rEUR-00	Two Channel Receiver
768rEUR-50	Eight Channel Receiver
750rEUR-00	Radio Siren
7525rEUR-00	Arming Station
770rEUR-00	Wireless Accessory Module (WAM)
771rEUR-00	Info module
08740EUR-00	ISDN Module
08841EUR-00	GSM Module
08844EUR-00	GPRS Module
08750EUR-00	Ethernet module
02080EUR-00	Extension Speaker/Microphone

Installation

Warning: Exposure to Radio Frequency Radiation

The radiated output power of this device is below those levels considered safe by European exposure limits. Nevertheless, when fitting the product place it in such a manner as to minimise the potential for human contact during normal operation. To minimise exposure, users should be more than 200 mm from the device during normal operation

Tools Required

Flat screwdriver (small).

Philips screwdriver.

Drill.

6mm and 4mm drill bits.

6mm and 4mm screws.

Wallplugs, filler.

1. Insert Blanking Plates

Fill unused cable access holes with blanking plates provided. Note that some blanking plates have a hole to allow you to use smaller sized trunking.

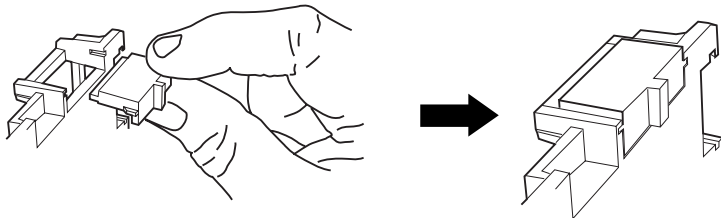


Figure 6. Insert Blanking Plates.

2. Fix the Wall Plate

Use at least three fixing holes when mounting the wall plate on a wall.

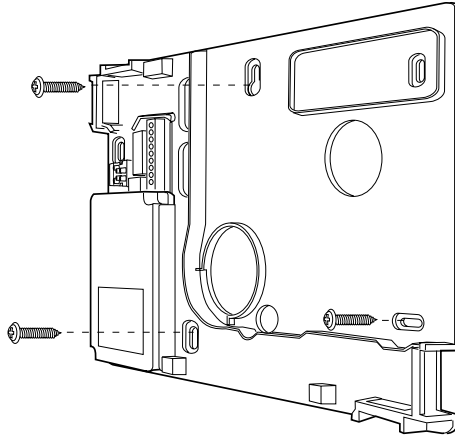


Figure 7. Screw Wall Plate to Wall

3. Connect to Mains

Figure 8 shows the mains connection. Connect to a suitable supply using a double pole disconnect device in accordance with EN60950-1.

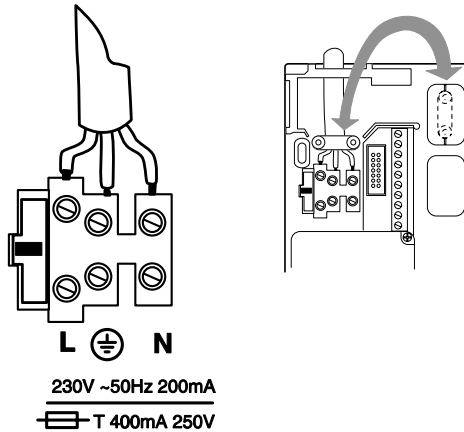


Figure 8. Mains Connection

4. Connect Wired Detectors (Optional)

Figure 9 shows an example of using the wired inputs to connect simple door contact. Note that the 7510r does not provide auxiliary power for PIRs.

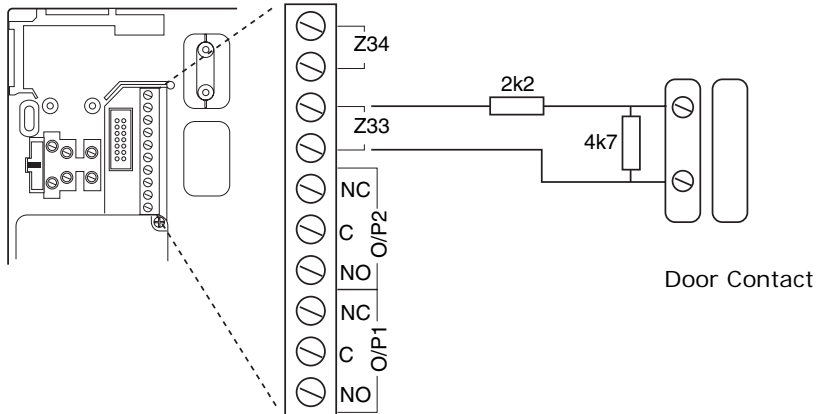
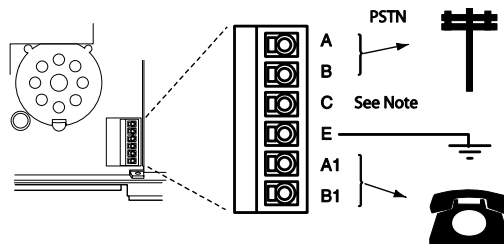


Figure 9. Connecting Detectors

5. Connect to Telephone Line (Optional)

The person connecting the 7510r control unit to the PSTN must be suitably qualified. Connect the 7510r telephone connector (see Figure 10) ONLY to the PSTN or to other circuits designated as Telecommunications Network Voltage



Caution: Telecommunications Network Voltage

- A, B Connect to PSTN
- A1, B1 Connect to local phone extension (if required)
- E For added surge protection connect to a suitable protective earth.
- C Note: (UK only) connect to ringing wire from PSTN and to ringing wire on extension phone, if fitted.

Figure 10. Telephone Connection

6. Remote Loudspeaker/Microphone (Optional)

If you wish to add either a Loudspeaker/Microphone unit (0208EUR-00) or Loudspeaker only unit (0904UK-00) for social alarm use, then connect them as shown in Figure 11.

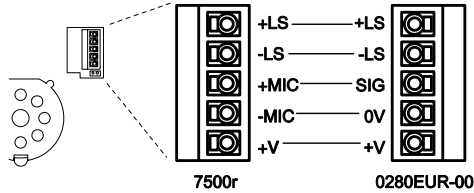
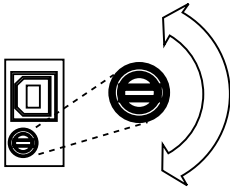


Figure 11. Loudspeaker/Microphone Connection

Tone Volume

Softer



Note: This control changes the volume of non-alarm tones (for example Exit/Entry tone). To change the volume of voice announcements see “7510r User Guide”. The volume of alarm tones is fixed.

Louder

Figure 12. Adjusting Tones and Chime Volume.

7. Fit Battery

Fit six AA 2100mAh NiMH batteries to the battery compartment in the back of the control unit, see Figure 13.

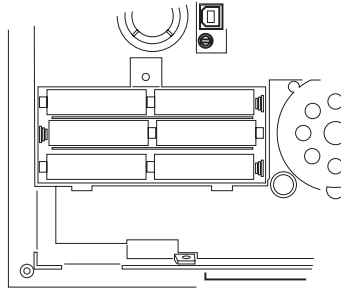


Figure 13. Fitting Batteries

Make sure that you refit the battery compartment lid and secure it with the screw provided.

8. Assemble and Close Control Unit

Hook the top of the control unit body over the top of the wall plate.

Connect the ribbon cable from the control unit body to the wall plate (see Figure 14).

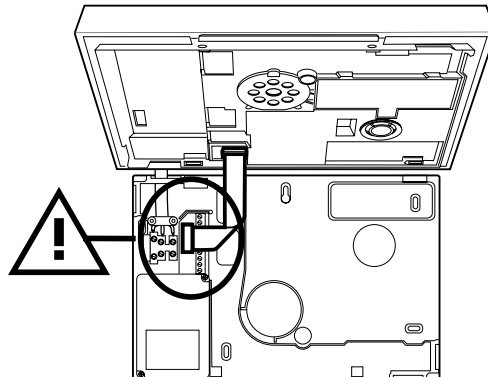


Figure 14. Connect Ribbon Cable

Lower the control unit body onto the rest of the wall plate and secure with the screws provided (see Figure 2).

Commissioning the System

After installing the control unit you should commission the alarm system as follows:

1. Apply mains power to the control unit.

Note: When you connect the control unit to the power supply for the first time, the control unit asks you to select the language to be used by the display, followed by the default programming options for a particular country. You can examine the defaults when you enter programming mode.

2. Use the Installer Menu (see the next chapter) to teach the control unit the identity of its radio detectors and any other peripherals. See the installation instructions supplied with each detector or peripheral.
3. Install detectors and peripherals at their selected locations.
4. Use the *Installer Menu - Testing* option to:
 - a) carry out a walk test of the detectors.
 - b) test the operation of any other peripherals.
5. Program the system to suit user requirements.
6. Instruct the user in operation of the system. See the Homelink 75 User Guide.

Programming

Entering Installer Menu

1. Make sure the system is unset and showing the standby screen (time and date).
2. Press Menu.
3. Key in your Installer access code.
(When delivered from the factory the default Installer access code is "7890").

When you key in the last digit of the access code the keypad displays the first item on the Installer Menu.

4. Press ▲ or ▼ to display more items from the menu.
5. Press SELECT to enter that item of the menu.

Leaving the Installer Menu

1. Press DONE or BACK until the top line of the display shows the words "Installer Menu".
2. Press EXIT to leave Installer Menu.
The display shows "Leave Installer Mode?".
3. Press YES.

The display shows the time and date. The system is ready for use.

Restoring the Access Codes (1st stage Reset)

If the user and/or Installer codes are lost then:

1. First remove mains power, then open the case and disconnect the battery (see Figure 4).
2. Identify the Reset pins on the main PCB (see Figure 4).
3. Short the Reset pins together using a small wire link.
4. Reconnect the battery.

*Note: If you need to run the control unit from the battery temporarily, then **briefly** short the Kickstart pins together. The control unit will not operate from a battery unless you do this.*

5. Apply mains power if available.
6. Remove the short from the Reset pins.
The control unit loads the factory default access codes:
User 1: 1234, Installer: 7890.
7. Close the control unit.

Restoring All Factory Default Programming

If you wish to restore all factory default options then:

1. From the Installer Menu select *System Options, Restore Defaults, Factory Defaults*.

The display asks for confirmation.

2. Press YES to load defaults.

(Press BACK to go back to the Installer Menu without changing defaults.)

The system loads all defaults except for Access Codes and the Log (see Note).

The display returns to the Installer Menu.

Note: The log is protected and cannot be erased by the Installer.

Detectors

Add/Del Detector

To use a radio zone the control unit must learn the identity of the radio detector. To learn radio detectors select *Detectors, Add/Del Detector*.

If you want the control unit to select the first free zone for you then select *Auto Learn*. Follow the instructions on the display and trigger the tamper of the detector you want the system to learn.

The control unit gives a confirmation tone when it learns the detector successfully. The display shows the received signal strength of the radio detector.

Carry on and trigger tampers for all the other detectors that you wish the control unit to learn, OR press EDIT to complete the zone details for individual detectors.

Press BACK when you have finished.

Alternatively, if you wish to allocate a detector to a specific zone, use the ▲ or ▼ keys to highlight a free zone and press Select. (The display shows a small icon (☐) next to zones that already have detectors.) Follow the instructions on the display as described above.

Delete All

Use this option if you wish to remove all the radio detectors from a control unit. Note that you cannot undo this option. The control unit sets all radio zones to Not Used, and erases the identities of all the radio transmitters that it has learned.

Zone 01 to Zone 32

You can make the control unit learn the identity of individual detectors into selected zones. If the control unit already has a detector learned to a zone then the display shows a small rectangle at the end of zone's entry on the display.

Deleting a Single Detector

To delete an individual detector select *Detectors, Add/Del Detectors* from the Installer Menu.

Select a zone showing the  icon.

The display offers you the choice of deleting the detector ID or defaulting the zone.

If you select "Delete Detector ID" then the control unit "forgets" the ID of the detector, but leaves any zone programming in place.

If you select "Default Zone" then the control unit "forgets" the ID of the Detector and sets all the zone programming back to default values: Type = Not Used, no attributes, zone assigned to Partition 1.

To reinstate the detector you must teach the control unit that detector's identity again.

To delete a hardwired zone (zones 33 and 34) select *Detectors, Edit Detectors*, select zone 33 or 34 as required and set the type to Not Used.



Edit Zones

The 7510r has two sorts of zones: radio and hardwired. The control unit allocates the radio zones to zones 1 to 32 and the two hardwired zones to zones 33 and 34. (To obtain access to the contacts for the hardwired zones see Figure 5 on page 4.)

Once you have made the control unit learn radio detectors or connected the hardwired zones then you can program each zone's behaviour.

Names, Types, Partitions and Attributes

To change the name associated with a zone, or its type, partition or attributes select *Detectors, Edit Zones* followed by the zone number.

The display shows a summary of zone 1's current details. Press  or  to show the other zones' details. When you have highlighted the zone you wish to edit press SELECT. The display shows a short list of the items that you can

program for that zone. Select the item you wish to change.

Changing Zone Names

When changing the zone name, key in the letters from the keypad. Each number is associated with a range of letters in the same way as on many mobile phones. Figure 15 shows which letters appear on each key.

To delete characters press DELETE. If you wish to move the insertion point press ▲ or ▼.

Note: If you press DELETE until the current name has disappeared from the display, and then press DELETE once more, the display leaves the name change screen and restores the name of the zone to its previous value.

Press OK when you have finished entering text.



Figure 15. Letters Assigned to Keys

Zone Types

When the control unit first learns a detector, the zone type defaults to Normal Alarm. The zone types available are:

Not Used

The alarm system will not respond when an event triggers this detector.

Normal Alarm.

A zone programmed as 'Normal Alarm' will start an alarm when its partition is set.

Entry Route.

Use this zone type for detectors sited between the Final Exit door/detector and the control unit. If an 'Entry Route' zone is violated when the system is set, an alarm will occur. If the entry/exit timer is running when an Entry Route zone is violated then no alarm occurs until the entry/exit timer expires.

Note: If you give an Entry Route zone the Part Set attribute then you can program that zone to behave like a Final Exit zone if the user part sets a partition holding the zone. See page 37.

Final Exit.

Zones of this type should be the last detector to be activated on exit, and must be the first to be activated on entry. You can use zones of this type to finally set the system, or to start the entry procedure. See page 35 to set the exit mode type.

Note: If you give a Final Exit zone the Part Set attribute then you can program that zone to behave like a Normal Alarm zone if the user part sets a partition holding the zone. See page 37.

24 Hour.

This zone causes an internal alarm if activated when the system is unset, and a full alarm if the system is set.

Fire.

Smoke or heat detectors connected to fire type zones cause the sirens to give a distinctive fire signal (internal sounders pulsing "Dee Dah Dee Dah..."). Fire alarms operate whether the system is set or unset, and will always trigger communications, if enabled.

PA.

Operating a device programmed as 'PA' (Panic Alarm) will start either a silent alarm transmission to the Alarm Receiving Centre (ARC), or an audible alarm, depending on how you have programmed PA Response, (see page 41). PA alarms operate whether the system is set or unset.

Technical Alarm.

Use this zone type when you want to monitor equipment, for example a freezer, without causing a burglar alarm. If a technical alarm zone is activated while the system is set, the system makes no audible alarm. However, when a user unsets the system the keypad indicates a fault. If a technical alarm zone is activated while the system is unset then the system starts a pulsed tone from the keypad. If programmed to do so then the control unit also starts communication (see page 52). When a user enters a valid access code the keypad stops the tone and displays the zone.

Key Switch Momentary. Use this zone type to connect a momentary keyswitch to a single zone.

Key Switch Latched. Use this zone type to connect a fixed position keyswitch to a single zone.

Notes:

- 1. These two zone types are intended for use on zones that connect to an access control keypad, electronic key or other type of hardwired device used to set or unset the system.*
- 2. When the user operates the keyswitch while the system is unset then the control unit starts the programmed exit mode.*
- 3. When the user operates the keyswitch while the system is set then the control unit unsets the system immediately.*
- 4. The user cannot reset the system from a Keyswitch zone.*
- 5. Do not assign more than one Latched Key Switch zone to one partition.*

Key Box.

When a zone of this type is required, the Installer connects the alarm wires of the zone (usually the auxiliary contacts of a door contact) to a special external key box and the tamper wires to the box enclosure switch. When someone opens the box the control unit logs the event and communicates it to the ARC.

Exit Normal Alarm

A zone programmed as 'Exit Normal Alarm' behaves similarly to a Normal Alarm zone. However, a zone of this type will start an alarm if the detector is triggered during the exit time.

Partitions and Zones

When you first teach a detector to the control unit then the zone defaults to partition 1.

You can assign zones of the following type to one or more partitions: Normal Alarm, Final Exit, Entry Route, Key Box, and Exit Normal Alarm.

Note: If you intend to use part set partitions then make sure that for any zone shared by more than one partition the part set options are all the same.

The control unit will not allow you to assign zones of the following types to more than one partition: 24 Hour, Fire, Panic Alarm, and Technical.

Zone Attributes

The attributes available are:

Chime

When enabled by the user, the system gives a non-alarm warning tone when any zones programmed as 'Chime' are opened. This facility operates only while the system is unset.

Soak Test

Use this zone attribute if you want to place under long term test a detector that you suspect is giving false alarms. Zones with this attribute are disabled for 14 days after you return the control unit to user mode. If the zone is activated while the system is set then the control unit logs the event as a "Soak Test Fail Zn" (n is the zone number) without sounding any sirens or starting signalling. After midnight on the 14th day the control unit returns the zone to normal use.

Activity Monitoring

While a partition holding a zone with this attribute is unset, the control unit starts a Social Care Alarm if the detector has not been activated for a set time.

When a partition holding this zone is set the control unit starts an intruder alarm if the detector is activated. See page 73 for instructions on how to set the Activity Time.

Part Set

When a user instructs the control unit to part set, the control unit sets only those zones with the Part Set attribute. If a user performs a "Part Set All" then the control unit sets all zones in the system with the Part Set attribute. If a user part sets a partition then the control unit sets only those zones within the selected partition that have the part set attribute.

Force Set

The user can set the system while a zone with this attribute is open (active). The control unit omits the zone for the duration of the setting/unsetting cycle. (You must enable this feature in the *System Options - Force Set* menu See page 44.)

Note: Some attributes are not available for certain zone types. The display shows the available attributes.

Outputs

The control unit provides 34 outputs. The first two outputs are hardwired outputs, see Figure 4 on page 4 and Figure 9 on page 11 for the position of their connectors.

Outputs 3 to 34 are radio outputs. The control unit uses these outputs to command one or more of the radio output devices compatible with the 7510r.

You can program the control unit to group outputs into different "types". For each type the control unit has a different pattern of activating or deactivating the output. The pattern depends on whether the control unit is set or unset, and what input is coming from the detectors or the keypad. For either hardwired or radio outputs see Edit Outputs for instructions.

Teaching Radio Receivers

To teach the control unit's identity to a radio receiver select *Outputs*, *Add Output*.

The Add Output screen allows you to select the control unit output that you wish to make the receiver learn. Use ▲ or ▼ to select the desired output and press Select.

Follow the instructions on the control unit display, and remember the following points:

When you press TEACH the control unit starts broadcasting its own identity to the receiver.

At the receiver, make sure the receiver is powered up and select the channel you wish to use for the control unit.

Follow the programming instructions for the receiver to make it learn the control unit into the desired channel.

If you are teaching several receivers the same control unit output then do not press YES on the control unit until you have taught the last receiver.

Note: If you are teaching 762r, 768r, or 769r receivers then make sure that you disable IR learn on the receivers first.

Edit Outputs

To use the control unit outputs you must program their behaviour by giving them an output type. Select *Outputs*, *Edit Outputs*, and then select the output you wish to program.

Changing Output Names

When changing the output name, key in the letters from the keypad. Each number is associated with a range of letters in the same way as on many mobile phones. Figure 15 shows which letters appear on each key.

To delete characters press DELETE. If you wish to move the insertion point press ▲ or ▼.

Note: If you press DELETE until the current name has disappeared from the display, and then press DELETE once more, the display leaves the name change screen and restores the name of the output to its previous value.

Output Types

For all outputs (hardwired and radio) the types available are:

Not Used:

The control unit will not operate any output assigned to this type.

Siren

The control unit operates this output during an alarm. See page 42 to choose the siren delay and duration. In a partitioned system the control unit operates this output when any partition is in alarm.

E/E Follow

This output is active when the entry or exit time starts and deactivates at the end of the entry/exit time, or if the entry/exit time is terminated. The output can be used for a separate entry/exit buzzer. Note that the output does not operate if the exit mode is silent set or instant set.

Armed lamp

The output is active continuously while the system is full or part set.

24 Hour

This output is active when the control unit starts a 24 hour alarm.

Strobe

The control unit operates this output type during an alarm. The output remains active until the user disarms the system.

Strobe Set

This output is active for 10 seconds after the system (or any Partition) has set. The output can be used to operate the strobe to give a visual indication that the system has completed setting. This output type also

operates when the system is in alarm, and remains active until the user disarms the system.

Note: For best results use this output type on a strobe connected to a 770r Wireless Access Module. The strobe on a 750r cannot respond correctly because of the battery saving circuits within the radio siren.

Pulse Set

This output becomes active for a minimum of 1 second when any partition is fully set.

Pulse Unset

This output becomes active for 1 second when someone unsets the system, or during a fire or PA alarm.

Setting Complete

This output becomes active for 10 seconds when the control unit finishes setting.

Siren P1 (to P4)

The control unit operates this output when the selected partition is in alarm. See page 42 to choose the siren delay and duration.

Strobe Set P1 (to P4)

This output is active for 10 seconds after the selected partition has set. The output also operates when the partition is in alarm and remains active until the user disarms the partition.

Note: For best results use this output type on a strobe connected to a 770r Wireless Access Module. The strobe on a 750r cannot respond correctly because of the battery saving circuits within the radio siren.

Technical Alarm

This output becomes active during a technical alarm.

Medical

This output becomes active during a medical alarm.

PA

This output becomes active during a panic alarm.

Fire

This output becomes active during a fire alarm.

Zone Follow

The control unit activates this output when a specified zone has been triggered. If you select this type for a zone then the display shows an extra "Follow" option for the output. Use this option to select the zone you wish the output to follow.

User Defined

Assign this output type to any outputs that you want the user to control. The user can switch the output on or off from the keypad, an arming station, or control the output using a telecommand. In addition, either the installer or the user can program this output type with an "On Time" and an "Off Time". The control unit activates the output at the programmed "On Time", and deactivates the output at the programmed "Off Time".

FullSetRDY (P1 to P4)

The control unit activates this output for the selected partition when none of the detectors are open (active).

Part Set (P1 to P4)

The control unit activates this output when the selected partition is part set.

Full Set (P1 to P4)

The control unit activates this output when the selected partition is full set.

Alarm Confirmation

The panel activates this output during a confirmed alarm.

Other Devices

Use this menu to make the 7510r control unit learn a 750r external siren, 771r remote information display, 770r Wireless Accessory Module, or 7525r remote Arming Station.

External Siren

The 750r external siren is a weather-proof battery powered siren designed to operate on external walls. In an alarm the control unit triggers the external siren at the


same time as the internal siren. The external siren runs for a fixed period of 90 seconds. By default, the control unit assigns a 750r external siren to all partitions.

To program a 750r select *Other Devices – External Siren*.

Adding an External Siren

To make the control unit learn the ID of an external siren:

1. Select *Other Devices – External Siren – Add/Del Ext Siren*.

The display shows two possible “memory slots” for external sirens. A slot already allocated to a siren shows a “” icon at the end of its line.

2. Select a free memory slot.

The display shows a message asking you to operate the siren’s tamper.

3. Operate the siren’s tamper.

The control unit learns the siren’s identity and gives a double beep.

Editing an External Siren

To change the partitions assigned to the external siren:

1. Select *Other Devices – External Siren – Edit Siren*.


The display shows a list of the available partitions with the words “Yes” or “No” at the end of each line. “Yes” means that the siren sounds if there is an alarm in the Partition.

2. Select the partition that you wish to edit.
3. Press CHANGE to change a “Yes” to “No” or a “No” to “Yes”.
4. Press DONE to store the change.

Deleting an External Siren

To remove an external siren from the system:

1. Select *Other Devices – External Siren – Add/Del Ext Siren*.

The display shows two possible “memory slots” for external sirens. A slot already allocated to a siren shows a “” icon at the end of its line.

2. Select a used memory slot.

The display shows the message "Delete Ext Siren".

3. Press SELECT to make the control unit "forget" the siren ID learned into that memory slot.

The control unit forgets the siren's identity, removes the "☐" icon from the end of the line, and gives a double beep.

Info Module

The Info Module is an external display module that can show the setting state of the system or one or more partitions. You must teach the identity of the 7510r control unit to each Info Module that you wish to use.

Adding an Info Module

1. Select *Other Devices – Info Module*.
2. Make sure the Info Module is in Learn Mode (consult the 771r Installation Guide).
3. Select *Teach Info Module*.

The display shows the message "Ensure receiver is in learn mode then press teach".

4. Press TEACH on the 7510r control unit.

The Info Module beeps twice to confirm that it has learned the identity of the control unit.

5. Press YES on the 7510r control unit.

Disabling Info Modules

If you physically remove an Info Module from the system (for example, a user no longer requires one) then you may wish to stop the control unit trying to update the Info Module's display. This will free some of the control unit's processing power, and speed up its response to other peripherals. The Info Module menu provides the *Updates* option for this purpose.

1. Select *Other Devices – Info Module - Updates*.

The display shows the options Disabled and Enabled.

2. Select the option you require.

When you select Enabled, the control unit carries on transmitting to the Info Module.

When you select Disabled, the control unit stops transmitting data to all the Info Modules.

The default setting for this menu option is Disabled. The control unit changes the setting to Enabled when you teach an Info Module the control unit's identity.

Enabling the Ready to Set LED

The Info Module possesses an LED that glows when the alarm system is NOT ready to set (a detector is reporting an alarm). You can disable or enable this LED from within the Info Module Menu.

1. Select *Other Devices – Info Module - Ready-to-Set LED*.
The display shows the options Disabled and Enabled.
2. Select the option you require.

WAM Module

The WAM can operate in one of five programmable modes. The installer selects the mode when commissioning the WAM hardware. Three of the modes provide the following functions on the 7510r control unit:

Mode 1 Repeater Module. The WAM repeats the signals from any detectors within its range, amplifying them to a level that the 7510r control unit can detect. This allows you to increase the area covered by detectors.

Mode 2 Output Module. The WAM accepts commands from the 7510r control unit to operate wired outputs. The WAM can also accept commands from other Homelink transmitters.


Mode 4 Sounder Module. The WAM operates as a radio link to allow you to remotely connect a standard wired siren to the 7510r control unit.

To ensure correct operation you must first select the desired mode on the WAM (see the WAM Installation Guide) and then teach the WAM's identity to the 7510r control unit.

Adding a WAM

To teach the control unit the WAM's identity:

1. Select *Other Devices – WAM – Add/Del WAM*.

The display shows a list of available WAM modules from WAM 1 to WAM 8. Each line is a “memory slot” for learning the identity of a single WAM module. When a slot is occupied with a WAM the then line shows a “

2. Select the memory slot that you wish to use. (Table 1 shows the way that zones and outputs on the WAM map onto zones and outputs on the control unit. For example, WAM 8 zone 2 corresponds to control unit zone 18, while WAM 8 output 4 corresponds to panel output 6.)

The display asks you to activate the tamper switch on the WAM.

3. Activate the WAM tamper.

The WAM signals its identity to the 7510r control unit. When the control unit learns the WAM's identity it gives a double beep.

ZONES		
WAM No.	WAM Zone No	Panel Zone No
		1
		2
		3
		4
		5
		6
		7
		8
		9
		10
		11
		12
		13
		14
		15
		16
8	1	17
	2	18
7	1	19
	2	20
6	1	21
	2	22

OUTPUTS		
WAM No.	WAM OP No.	Panel OP No.
		1 (HW)
		2 (HW)
8	1	3
	2	4
	3	5
	4	6
7	1	7
	2	8
	3	9
	4	10
6	1	11
	2	12
	3	13
	4	14
5	1	15
	2	16
	3	17
	4	18
4	1	19
	2	20
	3	21
	4	22
3	1	23
	2	24

5	1	23		3	25
	2	24		4	26
4	1	25	2	1	27
	2	26		2	28
3	1	27		3	29
	2	28		4	30
2	1	29	1	1	31
	2	30		2	32
1	1	31		3	33
	2	32		4	34

Table 1. WAM Zones and OPs to Panel Zone and OPs

Viewing a WAM

To check the functions of the WAMs currently learned by the control unit:

1. Select *Other Devices – WAM – View WAM*.

The display shows a list of the available WAM memory slots. When a slot is occupied with a WAM the then line shows a "☐" icon.

2. Select the WAM whose function you wish to view.

The display shows one of the following:

Repeater Module.

Output Module. (The display also shows the outputs allocated to the WAM.

Sounder Module.)

Not Used.

Deleting a WAM

If you wish to remove a WAM from service in the system, then:

1. Select *Other Devices – WAM – Add/Del WAM*.

The display shows a list of the available WAMs.

2. Select the WAM you wish to delete. (When a slot is occupied with a WAM the then line shows a "☐" icon.)

The display asks you to confirm your choice.

3. Press SELECT.

The control unit deletes the WAM's identity from the selected memory slot.

Arming Station

The Arming Station is a transmitter that users can employ to set and unset partitions remotely, or operate outputs. The Arming Station is a transmitter only, and does not display any system information.

The Arming Station has four buttons and a small light that glows when it transmits a signal.

When installing an Arming Station you must first teach the control unit the Arming Station's identity, and then program the control unit with the function of each of the Arming Station's buttons.

Select the *Other Devices – Arming Station* to add, delete or edit Arming Stations.

Adding an Arming Station

To make the control unit learn the Arming Station's identity.

1. Select *Other Devices – Arming Station - ADD/DEL Arming Station*.

The display shows a list of available Arming Stations from Arming Station 1 to Arming Station 4. Each line is a "memory slot" for learning the identity of an individual Arming Station.

If a memory slot is already occupied then the end of the line shows a "☐" icon.

2. Select the memory slot that you wish to use.

The display asks you to activate the tamper switch on the Arming Station.

3. Activate the Arming Station tamper.

The Arming Station signals its identity to the 7510r control unit. When the control unit learns the Arming Station's identity it gives a double beep.

Re-Programming Arming Station Buttons

If you wish to re-program the buttons on an Arming Station.

1. Select *Other Devices – Arming Station – Edit Arming Station*.

The display shows a list of the Arming Stations.

2. Select the Arming Station you want to program.

The display shows a list of buttons, F1 to F4.

3. Select the button you wish to reprogram.

The display shows you the following options:

Full Set

Set all partitions

Part Set

Part Set all partitions

Unset

Unset all partitions

Output On

The display shows a list of outputs. Once you have selected an output the control unit will turn that output on every time a user presses the button.

Output Off

The display shows a list of outputs. Once you have selected an output the control unit will turn that output OFF every time a user presses the button.

Not Used

The control unit will ignore a button given this option.

4. Select the option you wish to use for the button.
5. The control unit assigns that function to the button and gives a double beep. The display shows the list of buttons again.
6. Repeat steps 3 to 5 to program the other buttons as necessary.

Deleting an Arming Station

If you wish to remove an Arming Station from the system:

1. Select *Other Devices – Arming Station - ADD/DEL Arming Station*.
2. Select the Arming Station that you wish to delete.
The display asks you to confirm that you wish to delete the selected Arming Station.
3. Press YES.
The control unit deletes the Arming Station's identity and gives a double beep.

Partitions

The 7510r can provide up to four partitions. To program partitions select *Partitions* followed by the partition you wish to change.

Partition Name

You can assign a name up to 12 characters long to each partition. Once you have assigned a name the control unit displays the name while you are programming the rest of the system.

Exit Mode

Each partition can have its own exit mode. The exit modes available are:

Timed Set.

Use this option to make the partition set after a delay. Use the Entry/Exit time menu (see page 36) to choose the delay.

Final Door Set.

Use this option to complete setting the partition by closing a door fitted with a Final Exit zone detector. Note that the exit time is infinite in this option.

Note: Do not try to make a PIR zone act as a Final Exit for a partition. Radio PIR detectors have a "lock out" period after each activation in order to conserve battery power. When you set (or part set) a partition a PIR may still be in lockout, during which it cannot send a signal to complete the setting process.

Instant Set.

The partition sets immediately and without any tones.

Silent Set.

The partition sets after the exit time programmed in the Entry/Exit Time menu but does not give any exit tones. When the partition sets the control unit gives a double beep.

As Partition 1

This option is available for partitions 2, 3 and 4. When you select this option the system uses the same setting mode as partition 1.

The control unit gives a double beep confirmation tone at the end of all setting modes.

If you select Final Door Set exit mode then the system allows a seven second settling time after closing a final door.

Exit Time/Entry Time

You can give each partition separate entry and exit times. The times can each take one of the following values (seconds):

10, 20, 30, 45, 60, 120.

Alarm Response

You can give each partition an individual alarm response. The responses available are:

Siren

Local alarm (siren only).

Siren + Comms

Full alarm (communication and siren).

Part Set Exit Mode

You can select an exit mode for a part set partition that is different from that used when the same partition is full set. Page 35 lists the exit modes available.

Note: If you wish to use Final Door Set exit mode when part setting a partition then:

- 1. Make sure that you include a zone with Final Exit type in that partition.*
- 2. Make sure you select "Final Door" in Part Set Final Exit As (see below).*

Part Set Final Exit As

This option controls how the system will treat Final Exit zones in part set. When the option is set to Final Door any Final Exit zones included in the partition will continue to act as Final Exit zones during part set. When the option is set to Normal Alarm any Final Exit zones included in the partition will act as Normal Alarm zones during part set.

Part Set Entry Route As

This option controls how the system treats Entry Route zones during part set. When the option is set to Entry Route all Entry Route zones included in the partition will continue to act as Entry Routes during part set. When the option is set to Final Exit any Entry Route zones included in the partition will act as Final Exit zones during part set.

Strobe on Set (770r only)

When set to ON this option causes the control unit to activate any associated 770r WAM programmed as a sounder receiver (mode 4). The WAM operates its strobe output when the partition sets.

Strobe on Unset (770r only)

When set to ON this option causes the control unit to activate any associated 770r WAM programmed as a

sounder receiver (mode 4). The WAM operates its strobe output while the partition unsets.

System Options

This section of the Installer Menu contains a series of options that affect the working of the alarm system as a whole.

User Access

To give users access to various system facilities select *System Options, User Access*. Press the ▲ or ▼ keys to scroll up or down the list on the display. To allow access press CHANGE repeatedly until "Y" appears next to the selected option. To deny access press CHANGE until "N" appears next to the selected option. Press DONE when you have finished.

Record Memo

This option allows or prevents users recording a voice memo message. Any user can replay the memo.

Reset After Alarm

If you wish to allow users to reset the system after an alarm then select "Y". If you wish to make sure that only the Installer can reset the system after an alarm then select "N".

Note: If you are programming the system to comply with BS8473:2006 (see page 79) then select "N" and control user reset from System Options - Alarm Confirmation - Reset Unconf/Conf. See page 46.

Dual Key Function

Enable this option to allow users to start an alarm from the keypad by pressing two keys at the same time. See the User Guide for details.

Zone Tamper Reset

Use this option to permit a user to reset the system after a zone tamper alarm the occurs while the system is unset.

Choose "Y" to allow user reset after a zone tamper.

Choose "N" to enforce Installer reset. The user can then silence the alarm, but the Installer must reset the system by entering the Installer access code.

Omit All

In some countries it is the custom to allow the user to omit all normal alarm zones that may be open (active) and preventing setting. Other countries do not allow this and require the user to omit each open zone individually.

To allow Omit All choose "Y".


Social Care Key

Enabling this option allows the user to start a Social care alarm from the keypad.

When a user presses the social care alarm key, the control unit starts a guard tone. During the guard tone the user can cancel the alarm by keying in an access code twice.

After 30 seconds the control unit stops the guard tone and starts a social care alarm.

Quick Set

It is possible to set the alarm system by pressing the  key without entering an access code. To allow this operation select *System Options, User Access, Quick Set* and choose "Y".

Remote Access

This menu controls access to the remote control feature. This feature allows a remote operator to issue commands to the control unit by pressing the buttons on a telephone keypad. The commands available are:

To:	Key-in
Unset the system	#0*0
Set the system	#0*1
Part set the system	#0*2
Silence the Sounders	#1*0
Reset the system	#1*1
Interrogate the system	#3*
Switch output nn ON	#9*nn*1
Switch output nn OFF	#9*nn*0

Toggle output nn #9*nn*

See "Homelink 75 User Guide" for more details. There are two options:

Call-out control

If you set this option to Y then the remote operator can control the system when they answer a call from the control unit.

If you set this option to N then the remote operator can still use the speech dialler commands, but cannot use the remote control commands.

Call-in control

If you set this option to Y then the remote operator can call the control unit. After sending an access code to control unit to identify themselves, the remote operator can issue commands from their telephone keypad.

Note: If you set "Call-in control" to Y then the control unit will not answer incoming calls from Downloader.

Language

The control unit can use one of two languages in its display. To change the language select *System Options, Language*.

Changing the language does not affect any stored names for partitions, detectors, outputs or users, and does not change any defaults.

Restore Defaults

Country Defaults

Each country has different settings for alarm reporting. You can use this option to select default settings for a given country.

Changing the country does not change the language used by the display.

Factory Defaults

If you wish to remove all programming from a control unit (perhaps to re-install it at another site) select this option.

Note that Factory Defaults sets all reporting defaults to UK values, changes the language to English, and erases all names and stored texts. However, select Factory Defaults does not erase the log or stored voice memos.

Installer Code

The default Installer access code is 7890. Cooper Security Ltd recommend that you change this code to some other number. To change the Installer access code select *System Options, Installer Code*.

The Installer code allows you to enter the Installer Menu, and carry out an Installer reset. However, the Installer code does not allow you to set or unset the system.

Tcmd needs Entry

If you wish the user to unset the alarm system before entering the premises then you can program the control unit to unset the system in response to a signal from a telecommand. Select: *System Options, Tcmd needs Entry*. The options available are:

Enabled: The user must first trigger an entry zone and start the entry timer before unsetting the system.

Disabled: The user can unset the system using a telecommand without first starting the entry timer.

PA Response

When a user operates a PA zone, the system can respond in one of two ways:

Full

The system operates the siren and, if programmed to do so, sends a PA message to the ARC. The display shows the PA zone when a user disarms the system.

Silent

The siren stays silent. If programmed to do so the system sends a PA message to the ARC. The display shows the PA zone when a user disarms the system.

The change between Full or Silent select: *System Options, PA Response*.

Auto Rearm

To change the number of times that the system will re-arm when the siren time expires select: *System Options, Auto Rearm*.

Select NEVER to make the system never re-arm (the system will go into alarm once only). Select one of the other options to make the system re-arm once, twice, three, four or five times, or always. The system re-arms all closed zones, but not detectors that are still sending alarm signals.

If the system has rearmed, then when a user enters the system through the entry route the control unit will give an audible internal alarm in place of the normal entry tone.

Siren Delay

To change the Siren Delay select *System Options, Siren delay*.

When the system is set and (for example) an intruder violates a zone, then the control unit waits for the programmed Siren Delay before operating the siren. The control unit then operates the siren for the programmed Siren Duration.

Note: The control unit ignores the Siren Delay setting if:

- a) The Alarm Response Mode does not require communications.*
- b) System Options - Alarm Confirmation - Ext Sounder For is set to Unconf, see page 46.*

Siren Time

To change the length of time that the system operates the siren during an alarm select *System Options, Siren Time*.

Note: The durations offered by the display apply to a siren wired directly to the control unit. The 750r radio siren has a fixed 90 second sounder duration in an alarm. This duration is designed to preserve the battery life of the radio siren.

Stray on Entry Delay

To determine what the system will do if a user strays from an entry route zone during entry select *System Options, Stray on ent Dly.* (This option is available to provide compliance with EN 50131-1.)

Select Disabled to make the system give an alarm immediately if the user strays from an entry route zone during entry.

If you select Enabled and the user strays from an entry route zone during entry then the system waits 30 seconds before raising a full alarm. The system also gives an internal alarm during the 30 second wait.

If the user enters an access code or presents a tag before the end of the 30 seconds internal alarm then the user can reset the system.

Supervision

If the alarm system must meet EN50131-3 radio supervision requirements then select *System Options, Supervision* and enable Supervision. Once enabled, the control unit will prevent the user from setting the system if a detector has lost contact with the control unit for more than 15 minutes.

If a detector loses contact for more than two hours then the control unit raises an alarm. The options available for this alarm are:

	With partition SET, the control unit:	With partition UNSET the control unit:
Fault	Signals a supervision fault to the ARC.	Displays an Alert and sounds a fault tone.
Tamper	Operates the siren and signals a Tamper and Supervision Fault to the ARC.	Displays an Alert, sounds the siren, and signals a Tamper and Supervision Fault to the ARC
Alarm	Operates the siren and signals an Alarm and Supervision Fault to the ARC.	Displays an Alert and sounds a fault tone.

Jamming Detection

The control unit can detect interfering (or "jamming") radio signals. To enable jamming detection select *System Options, Jamming*.

If the control unit detects jamming once you have enabled this option then the display shows an Alert message for the user.

Batt Load Test

A battery load test is an extra test that the control unit can carry out to test the health of the internal back-up batteries.

When enabled, if mains power is present then the control unit tests the ability of the batteries to deliver current every 23 hours or on unsetting the system. (If the control unit is communicating or playing/recording speech then the control unit will delay the test until those activities are finished.)

If mains power is absent then the control unit carries out the test as soon as mains power is restored.

If battery load test is disabled the control unit carries out other, less demanding, tests hourly or on exit from the Installer Menu.

Siren in Part Set

This option allows you to prevent the siren from sounding if there is an alarm during a part set.

Force Set

You may wish to allow the user to set the alarm system when one or more of the detectors are not working or are open (active).

Note: If you enable "Force Set" then the system does not comply with EN50131.

There are three options available:

Off

The user cannot force set the system, even if you have applied the force set zone attribute to any zones.

Confirm

The user can force set the system. Users employing a telecommand to set the system must operate as follows: 1) the user presses the appropriate button to set the system, 2) the control unit starts an error tone, 3) the user presses the same telecommand button to confirm that they wish to continue setting the system.

On

The user can force set the system. Users employing a telecommand need only press the telecommand button once to complete setting the system.

RF Siren Options

This menu allows you to select how the radio siren responds during Fire, Burglar or PA alarms. There are two options:

Siren + Strobe

The radio siren operates both siren and strobe in an alarm.

Strobe

The radio siren operates the strobe only in an alarm.

Panel Siren

When installing an alarm system that complies with PD6662:2004 the control unit cannot use any built in sounder. To disable the built-in sounder select: *System Options, Panel Siren*. There are two options:

No The siren within the control unit is disabled.

Yes The siren within the control unit is enabled for all alarms.

Alarm Confirmation

Note: This section of the manual describes the menus available for programming the system to meet DD243. For a description of how you may wish to apply these menus see Appendix A.

In order to program your requirements for DD243 select *System Options, Alarm Confirmation*. The options available are:

Confirmation Used

When set to 'Yes' this option enables the features designed to ensure the system complies with DD243:2004.

Note: When using Alarm Confirmation, and the system is programmed for Installer reset after an alarm, the user cannot set the system after an alarm until the installer has carried out a reset.

Ext Sounder for

Unconfirmed: the control unit operates the external sounder for all alarms (and overrides any Siren Delay, see page 42).

Confirmed: the control unit operates the external sounder for Confirmed alarms, but not for any other types of alarm.

After Entry

Never: The control unit turns alarm confirmation off if the user enters by the entry door (used for DD243:2004 clauses 6.4.2 and 6.4.4).

2 zones: The control unit starts a confirmed alarm if an intruder activates two (or more) zones after entering the premises (used for DD243:2004 clauses 6.4.5).

Reset Unconf/Conf

This option works in conjunction with *System Options - User Access - Reset After Alarm* (see page 38) to determine who can reset the system after a confirmed or unconfirmed alarm. When programming a control unit to meet BS8473:2006 first set *System Options - User Access - Reset After Alarm* to "N". You may then use the options below:

User/Installer: The user can reset after an unconfirmed alarm, but the Installer must reset after a confirmed alarm.

User/User: The user can reset after both unconfirmed and confirmed alarms.

Installer/Installer: The user cannot reset after an alarm, the installer must do it.

Note: If a user causes an alarm which would require Installer reset then they have 120s to abort the alarm, which they can then reset themselves.

Entry Code Lockout

This option determines whether the user can unset the system by entering an access code after opening the entry door.

No: The user can enter an access code at the keypad after the entry door opens (used for DD243:2004 clause 6.4.4).

Yes: The user must unset the system by some means other than the keypad, for example prox tag or telecommand (used for DD243:2004 clause 6.4.5).

IP Network

If you have fitted a 8750 Ethernet module then this menu allows you to give the control unit its own IP (Internet Protocol) address, ready for use with IP Alarm Reporting or IP Downloading.

Note: Before programming the control unit to use the IP Network please make sure that:

- 1. You understand basic IP terminology.*
- 2. You have obtained the necessary information from your Internet Service Provider.*

The menu contains the following options:

IP Address

Key in the control unit's own IP address. The IP address comprises four groups of digits. Each group is three digits long, and is separated from the next group by a "dot", for example "192.168.000.001". Press "*" to key in the dot.

Note: If you leave this field blank then the control unit will use DHCP (Dynamic Host Control Protocol) to obtain an IP Address from a DHCP server.

IP Sub-Net Mask

If necessary, key in the sub-net mask, for example "255.255.255.000". This number has the same format as the IP address.

Gateway IP Address

If necessary, key in the gateway IP address. This number has the same format as the IP address.

IP Port Number

Key in the port number. This is the port that the control unit "listens" on to hear the Downloader attempting to connect over the Internet. The format is a group of digits up to five digits long. The default port is 23.

Note: Once you have entered the details described above, you can see what IP address you have given the control unit by selecting the About Panel - About Comms - IP Address option from the Installer menu.

Downloading

The control unit can communicate with Downloader software running on a PC. Downloader connects with the control unit either over a telephone line or directly via cable through a USB (Universal Serial Bus) port. See Figure 4 on page 4 for connection details.

While connected Downloader can inspect and/or change the control unit's programming configuration. If you do not wish to change the configuration you can simply monitor the state of the control unit and its zones from the PC.

In order to use Downloader software you must program following options:

Account Name

As part of ensuring the security of a connection, Downloader must use an account name for each control unit. While the control unit is in Installer Menu you can

display the account name from the keypad: Select *Downloading, Account Name*. Note that you cannot change the account name from the keypad.

Connection Type

To choose which physical connection you wish to use select *Downloading, Connection Type*. The options available are:

Remote

Automatically answer calls coming from a remote PC over the telephone network. You will also need to program "Rings to Answer" and/or "Answer on One Ring", see below. (Note that Secure Callback does not work with this option.)

Note: This option will not work if System Options - Remote Access - Call-in Control is set to "Y". See page 39.

Local

Connect the control unit to a PC (for example a laptop) using a local USB cable.

Note: The control unit will leave the Connection Type menu if Downloader does not make a call within 30 minutes.

See "Access Mode" on page 50 if you want the control unit to answer incoming calls from Downloader without an Installer being present.

Rings to Answer

Select *Downloading, Rings to Answer* to set the number of rings that the system waits before answering an incoming call from the remote PC.

Answer On One Ring (Answer phone defeat)

Use this feature if the alarm system shares a line with other equipment. Select *Downloading, Answer on One Ring*.

When enabled, Downloader "warns" the control unit that a call is coming by ringing the control unit number, waiting for between one and two rings and then hanging up. The control unit now knows to expect a call within the next 10 to 90 seconds. Downloader then rings the control

unit again, within 10 to 90 seconds. The control unit answers after the first ring.

Note: When using "Answer on One Ring" set the number of rings in "Rings to Answer" to a higher number than that used by the equipment sharing the telephone line with the control unit. If you do not, then the 7510r will answer before the other equipment.

Access Mode

This function allows you to provide extra security when a remote PC is dialling into the system. Select *Downloading, Access Mode*.

Once Downloader is connected to the control unit then the it has access to all system programming. If you wish to provide secure access then use either Call Out Only or Secure Callback. Please note that you cannot use Secure Callback with Local connection.

Call Out Only.

Someone must start a call to the remote PC manually from within User Menu (select *System Config, Call to Dwnldr*).

Secure Callback.

When the remote PC calls, the system waits for the set number of rings (see "Rings to Answer") and then answers. The remote PC sends a control unit ID, the Downloader software version, and indicates which of the two Downloader Telephone Numbers to use (see "Phone Book" below). The system checks that the remote PC is sending the correct control unit ID, and is using the correct Downloader software version. If these items don't match then the system hangs up. If the items do match then the system hangs up and, after a short delay, the system seizes the telephone line and calls the PC using the indicated Downloader Telephone Number.

Note: Secure Call Back must be Disabled (Default) until the first "attended" upload has been performed. This

first upload can be carried out either from User Menu, or from Installer Menu.

Unattended.

The control unit answers as soon as the number of rings set in "Rings to Answer" or "Answer on One Ring" have elapsed.

Note: The Downloader operator can choose to use Secure Callback, even though the alarm system is programmed for Unattended Mode.

Phone Book

Select *Downloading, Phone Book* to program two separate, 31-digit telephone numbers that the system will use during downloading. When the remote PC operator makes a connection they select one of these telephone numbers for the control unit to call back on (for example to the operator's home or office).

Use the ▲ and ▼ keys to move the cursor backwards and forwards through the number if you wish to edit it.

Use the Delete softkey to delete the digit to right of the cursor.

Press * to add a 2 second pause, if required. The display shows this as a comma.

IP Network

If you have fitted an 8750 Ethernet module to the control unit, then it is possible for Downloader to communicate with the control unit using the Internet Protocol. This menu allows you to store two IP addresses that the control unit can "call" in order to start a Downloading session. The user starts the call by selecting one of the IP address.

The options available are:

IP Address 1

Key in the IP Address used by Downloader. The IP address comprises four groups of digits. Each group is three digits long, and is separated from the next group by a "dot", for example "192.168.000.001". Press "*" to key in the dot.

IP Port 1

Key in the port number that Downloader “listens” to on the remote PC at IP address 1.

IP Address 2

Key in an alternate IP Address used by Downloader.

IP Port 2

Key in the port number used by the alternate IP address.

Secure Callback

Select *Downloading, Secure Callback* to allow Downloader to use a third callback number (independent of the telephone numbers in the *Downloading, Phone Book* option). Before making a Downloader connection, the remote PC operator keys in the third callback number. Once connected Downloader transmits the number to the control unit. The control unit then uses that number to call back to the remote PC.

Modem Baud Rate

Over some noisy telephone lines Downloader communicates more effectively using a slower Baud rate from the control unit. Select *Downloading, Modem Baud Rate* to change the baud rate to 300 baud.

Reporting

The Reporting option in the Installer Menu contains all the options needed to program how the control unit will communicate alarms. Within the Reporting options, each menu item deals with the following areas:

Alarms

Deals with all the programming necessary for reporting to Alarm Receiving Centres (ARC).

Social Care

Deals with setting up reporting for social care alarms. A user can start this type of alarm by pressing the Social Care Alarm button on the keypad or by activating a pendant. The control unit can start this type of alarm when it detects inactivity in a suitably programmed zone (see page 22).

Speech Dialler

Deals with recording speech messages, selecting the alarm types that will trigger them, and selecting destinations for the messages.

SMS

Deals with creating text messages, selecting the alarm types that will trigger them and selecting destinations for the messages.

Line Fail Reporting

Allows you to select how the control unit reports a communications failure if either the PSTN or a plug on module fails.

Primary Comms

If you have fitted a GSM or ISDN module to the control unit you must use this option to select which route the control unit will pick first for sending reports. (The option does not appear on the display if you do not have a GSM or ISDN module fitted.)

The control unit is designed to alert the user if it fails to complete a programmed communication. If alarm or social care reporting fails then the display shows an alert icon. Although the user may acknowledge the alert, the icon will not disappear from the display until the control unit successfully completes its communication.

If a speech dialler or SMS report fails then the display shows an alert icon, but the user can clear the display by entering their access code and acknowledging the alert.

Alarms (ARC Reporting)

To program how the control unit will communicate with an ARC select *Reporting, Alarms*.

Call Mode

To choose the call mode for communicating with an ARC select: *Reporting, Alarms, Call Mode*. The call modes available are:

Disabled.

The control unit disables all communications.

Single.

The control unit reports to the first telephone number in the Phone Book, using a single account number (see "Account Numbers" on page 55).

Operation: The control unit dials the number and attempts to connect with the ARC. If the call fails, the control unit ends the call and then re-attempts to connect up to a maximum of 15 times.

Alternate.

The control unit reports to one of the two telephone numbers in the Phone Book.

Operation: The control unit dials the first telephone number and attempts to connect to the ARC. If it fails, it will then close down and dial the second telephone number and attempt to connect to the ARC. If received and acknowledged on this attempt, the alarm transmission is complete. If the control unit fails to connect to the second telephone number, it will close down again and re-attempt to connect to the first telephone number. The control unit will continue to shuttle between the two numbers up to 15 times.

Phone Book

Use this menu to store two telephone numbers that the control unit uses to report alarms to the ARC. The control unit accepts one telephone number if you choose Single in the Call Mode menu, or two telephone numbers if you select Alternate call mode.

The control unit can store telephone numbers up to 31 digits long.

Use the ▲ and ▼ keys to move the cursor backwards and forwards through the number if you wish to edit it.

Use the Delete softkey to delete the digit to right of the cursor.

Press * to add a 2 second pause, if required. The display shows this as a comma.

Alarm Reporting IP Address

If you have fitted an 8750 Ethernet module then the control unit can report alarm events over the Internet to a suitable receiver.

There are two types of receiver: an IRIS polling engine, or a specialised application running on an ARC's PCs. You must store separate IP addresses for each type of receiver.

When communicating with a receiver at the ARC you can specify two IP addresses. The control unit sends data to the second ARC IP address if a call to the first ARC IP address fails, and you have selected Alternate in *Reporting, Alarms, Call Mode*.

In addition, this menu provides a place to store a string of characters that the receivers use to identify every individual control unit. This identifier is independent of the ARC account numbers.

The options available are:

Unit name

Key in a string of up to 32 characters. This string must be unique for each control unit communicating to a receiver.

Polling Eng IP Address

Key in the IP address of the IRIS polling engine. The IP address comprises four groups of digits. Each group is three digits long. Use leading zeros in each group as necessary.

ARC IP Address 1

Key in the ARC's main IP address.

ARC IP Address 2

Key in the ARC's alternate IP address.

Account Numbers.

To store an ARC account number select *Reporting, Alarms, Account Numbers*.

With SIA Format the system reports alarms using a six digit account code. If you key in a four- or five- digit code then the control unit adds leading zeros to pad the account code to the correct length. For example account 1234 would be 001234.

With CID the control unit sends only the last four digits of the account code.

With Fast Format you can use four-, five- or six-digit codes. The control unit pads five-digit codes to six digits using a leading zero. The control unit leaves four- and six-digit codes unchanged.

Note: If you need to add a letter to the account code press the numbers keys repeatedly until the letter you want appears on the display. See page 19.

Report Type

To choose the report type to send to the ARC select: *Reporting, Alarms, Report Type.*

The report types available are: Fast Format, Contact ID, SIA Level I, SIA Level II, SIA Level III and Extended SIA Level III, and CID in SMS.

Note: If you select "CID in SMS" then you must store the phone number of the ARC in Reporting, Alarms, Phone Book.

Fast Format Channels

If you selected Fast Format in Report Type then you can select *Reporting, Alarms, Fast Format Channel* to allocate one of the following events to each of the 8 channels (defaults in brackets):

- Not used
- Fire (default Channel 1)
- PA (defaulted Channel 2)
- Burglar (defaulted Channel 3)
- Open/Close (default Channel 4)
- Technical Alarm (default Channel 8)
- RF Low Battery
- Supervision Loss
- RF Jamming
- AC Fail
- Tamper Alarm
- Medical
- Open (see note 1)

Close (see note 1)
Zone Omitted (Channel 5. see note 2)
Burg Partition 1
Burg Partition 2
Burg Partition 3
Burg Partition 4
Alarm Confirmation (required for DD243)
Alarm Abort

*Notes: 1. Open and Close provide the same functions as Open/Close, but on two separate channels.
2. Zone Omitted - the control unit sends this signal when a user omits a zone. (Required for DD243.)
3. The control unit delays reporting/logging either mains loss, or exiting Installer Menu with mains loss, by 15-18 min (chosen randomly). For Scandinavia the control unit waits at least 60 minutes before reporting.*

FF Report Restorals

If you selected Fast Format in the Report Type menu then you can enable or disable restoral reporting by selecting *Reporting, Alarms, FF Report Restorals*. The options available are:

Disabled

Restore off. The control unit does not communicate restorals.

Enabled.

Restore on. The control unit does communicate restorals.

SIA Report Mode

To change the SIA report mode select *Reporting, Alarms, SIA Report Mode*.

SIA reports are called 'Telegrams'. Each telegram contains the site identification number (normally six digits long) and relevant event information. The amount of information reported depends on the SIA mode you select: Basic, Summary, Intermediate, or Full. Table 1 on the next page shows the types of report for each mode. (Note that each mode also contains all the reports in the

mode above it.) Use the table to decide which mode is appropriate for the installation.

Note: The control unit delays reporting/logging either mains loss, or leaving Installer Menu with mains loss, by 15-22 minutes (chosen randomly). The control unit delays reporting/logging either mains restore, or leaving Installer Menu with mains restored, by 60-90 sec (chosen randomly).

Table 1. SIA Telegram Reports

BASIC Event Code	SIA Code	CID
ALARM CONFIRM	BV	139
BURG	BA	130
EXIT TIMEOUT	EA	-
FIRE	FA	110
KEYPAD FIRE	FA	110
KEYPAD MEDICAL	MA	100
KEYPAD PA	PA	120
KEYSWITCH SET	CS	409
KEYSWITCH UNSET	OS	409
MAN TRIGGER TEST REPORT	RX	601
PANIC	PA	120
PERIODIC TEST REPORT	RP	602
SENSOR TAMPER	TA	137
ZONE OMIT	BB	573
SUMMARY (BASIC plus:)		
Event Code	SIA Code	CID
ALARM ABORT	BC	406
ARM	CL	401
DISARM	OP	401
FIRE RESTORE	FR	110‡
KEYPAD FIRE RESTORE	FR	110‡
KEYPAD PANIC RESTORE	PR	120‡
LID TAMPER	TA	137
PANIC RESTORE	PR	120‡
PART SET	CL	401
PROG MODE END	LS	628
PROG MODE START	LB	627
RESET	OR	305
SYSTEM TAMPER	TA	137
TECHNICAL ALARM	UA	150‡
TECHNICAL ALARM RESTORE	UR	150
TAMPER USER CODE	JA	461

Table 1. SIA Telegram Reports (cont'd)

INTERMEDIATE (BASIC and SUMMARY plus:)

Event Code	SIA Code	CID
BURG RESTORE	BR	130‡
DOWNLOAD SUCCESS	RS	412
EXTERNAL SIREN TAMPER	TA	137
EXTERNAL SIREN TAMPER RESTORE	TR	137
JAMMING	XQ	380
KEYBOX CLOSED	BR	150
KEYBOX OPEN	BA	150
LID TAMPER RESTORE	TR	137‡
PASSWORD DEFAULTS LOADED	RH	-
SENSOR TAMPER RESTORE	TR	137
SUPERVISION FAIL	BZ	381
SUPERVISION FAIL RESTORE	-	-
SYSTEM TAMPER RESTORE	TR	137
TX BATTERY TROUBLE	XT	384

FULL (BASIC, SUMMARY and INTERMEDIATE plus:)

Event Code	SIA Code	CID
AC LOST	AT	301
AC RESTORE	AR	301‡
BATT MISSING	YM	311
BATT RESTORED	YR	311‡
LOW BATT	YT	311
LOW BATT RESTORE	YR	311‡
PLUGON FAULT	LT	351
PLUGON FAULT RESTORE	LR	-
PSTN FAULT	LT	351
PSTN FAULT RESTORE	LR	-
TD (Time and day) RESET	JT	625
USER CODE CHANGED	JV	-
USER CODE DELETED	JX	-

SIA Report Restorals

If you have selected a SIA report mode in *Reporting, Alarms* then you can enable or disable restoral reporting by selecting *Reporting, Alarms, SIA Report Restore*. The options available are:

Disabled

Restore off. The system does not communicate restorals.

Enabled.

Restore on. The system will communicate restorals, as long as the SIA report mode you have selected permits it (see page 57).

Contact ID Reports

If you chose Contact ID in Reporting Type menu then select *Reporting, Alarms, Contact ID Reports* to select the types of contact ID messages that the control unit sends. There are two options:

Basic

Comprises all the messages with numbers in the "CID Code" column of Table 1, with the exception of those marked with an "‡".

Basic + Restore.

With this option the system sends all the messages with numbers in the "CID Code" column of Table 1.

Force Test Call Now

Use this option to make the control unit start a test call immediately.

Dynamic Test Call

In dynamic testing the system makes a test call 24 hours after the last alarm communication. To enable dynamic testing select *Reporting, Alarms, Dynamic Test Call, Enabled*.

Static Test Call

In static testing the system makes a test call either at one particular time of day or on one day every month.

To make test calls at a set time every day select *Reporting, Alarms, Static Test Call, Daily*. From the display select a number between 01 and 24 to choose the time of day for the call. For example, select 18 to program the

control unit to make a static test call at 6:00pm every day.

To make test calls on one day every month select *Reporting, Alarms, Static Test Call, Monthly*. From the display select a number between 1 and 31 to specify the day of the month on which the call should take place. The control unit will make a test call at 1am on the selected day.

Note that the control unit will add or subtract up to 16 minutes at random to the time you specified. This is to make sure that the ARC is not overwhelmed with a flood of test calls from systems that have all been given the same time.

Select *Reporting, Alarms, Static Test Call, Disabled* to disable static test calls.

Burg Comms Rearm

This menu option determines what the control unit does with the "Burg" Fast Format channel 3 at the end of the siren run time. There are two options:

Disabled

The channel stays active until an Installer or user resets the system.

Enabled

The system rearms Channel 3 once the siren timer has expired. Once the Channel is rearmed, the system is ready to report any new alarm. The system bypasses any detectors that are still violated.

Notes:

If a Final Exit Zone is triggered, Channel 3 becomes active at the end of the Programmed Entry time.

Send Tamper as Burg

When using SIA reporting this option allows you to program the control unit to send tampers as burglary alarms.

If you select Disabled, (the default) then the control unit sends all SIA messages as specified in *Reporting, Alarms, SIA Report Mode*.

If you select Enabled the for full alarm response the control unit sends tampers as burglary (BA) and sends Contact ID 130 in place of Contact ID 137.

Social Care Reporting

The control unit sends a social care alarm message for the following types of alarm:

Emergency

A user presses a button on a pendant. The control unit then reports to the social care station with an EMERG BUTTON event (SCANCOM channel 2).

Activity

A zone with the Activity Monitoring attribute has been triggered.

While the system is unset the control unit checks that this zone is reporting activity. If the zone is quiet for longer than a pre-programmed time (see page 73) then the control unit starts a medical alarm and reports to the social care station with an INACTIVITY event (SCANCOM channel 3).

If the system is set then the Activity Monitoring zone acts as a normal alarm.

The report sequence is as follows:

1. The control unit reports to the social care station if social care reporting Call Mode is ON. The report includes a SCANCOM channel 8 to show that a two way speech path is available.

The control unit opens a two-way speech channel at the end of the report and leaves it open until the control unit receives a DTMF '5' command or a timeout occurs. The social care station can send commands to the control unit by using DTMF tones during the 2-way speech call. The commands available are:

Function	SCANCOM	SCAN FAST	TUN STALL
Talk	DTMF '2'	N/A	DTMF 'C'
Listen	DTMF '1'	N/A	DTMF '**'
Toggle	DTMF '**'	N/A	N/A
End this call	DTMF '5'	N/A	DTMF '#'
Play 'Home' message.	DTMF '3'	N/A	N/A

- The control unit sends the "Home" speech message (see "Speech Dialler" on page 65) to identify the caller.

Note that you will have to use the Speech Dialler menu to record the Home Message.

- The control unit sends an SMS message (see SMS Reporting).

Call Mode

To choose the call mode for social care reporting select *Reporting, Social Care, Call Mode*. The modes available are:

Disabled.

The control unit does not report any social care alarms.

Single.

The control unit reports to the first telephone number in the Phone Book, using a single account number (see "Account Numbers" on page 64).

Operation: The control unit dials the number and attempts to connect with the ARC. If the call fails, the control unit ends the call and then re-attempts to connect up to a maximum of 15 times.

Alternate.

Reports to one of the two telephone numbers in the Phone Book.

Operation: The control unit dials the first telephone number and attempts to connect to the receiving centre. If call fails, the control unit ends the call, dials the second telephone number and attempts to connect to the receiving centre. If received and acknowledged on this attempt, the control will close down and the alarm transmission will be complete. If the control unit fails to connect to the second telephone number, it will close down again and re-attempt to connect to the first telephone number. The system will continue to shuttle between the two numbers up to 15 times.

Phone Book

Select *Reporting*, *Social Care*, *Phone Book* to store the telephone numbers that the communicator will use to report social care alarms. The control unit will accept one telephone number if you choose Single in the Call Mode menu, or two telephone numbers if you select Alternate call mode.

The system can store telephone numbers up to 31 digits long.

Use the ▲ and ▼ keys to move the cursor backwards and forwards through the number if you wish to edit it.

Use the Delete softkey to delete the digit to right of the cursor.

Press * to add a two second pause, if required. The display shows this as a comma.

Account Numbers

Select *Reporting*, *Social Care*, *Account Numbers* to store any account numbers that you wish the control unit to communicate during a social care alarm call.

For social care reporting an account code can be up to eight characters long (digits and letters).

When using Scancom or Scanfast report types (see below) the control unit uses the last four to six characters

of the account code. If you key in four characters then the control unit uses only those four characters. If you key in five characters then the control unit pads the number of digits out to six by adding leading zeros.

When using Tunstall report type the control unit adds leading zeros to make shorter account codes eight characters long.

Report Type

To chose which reporting type the control unit should use for social care alarms select *Reporting, Social Care, Report Type*.

There are three reporting types available:

- SCANCOM (includes 2 way speech) (Default)

- SCANFAST (without 2-way speech)

- TUNSTALL (includes 2 way speech)

Call Acknowledge

If the called party answers a social care call, then they can end the call by sending back a DTMF '5' (see page 62).

With Call Acknowledge **enabled** the control unit ends the call and stops any further call attempts when it receives a DTMF '5'. If the control unit does not receive a DTMF '5' then it attempts to call again (up to 15 times).

With Call Acknowledge **disabled** the control unit stops further call attempts as soon as it detects a call being answered. The called party can use DTMF '5' to close the call down.

Speech Dialler

The 7510r has a built-in speech dialler. The control unit can record five speech messages using its internal microphone and replay them to a pre-programmed telephone number to report an alarm. One message is called the "Home message", and is always played at the beginning of a report. You should use this message to identify the control unit and it's location. The other four messages allow you record some indication of the type of event causing an alarm, for example: "Fire" or "Medical

emergency". The control unit plays these messages after the home message.

The control unit can record up to 12 seconds of speech for the Home message, and up to eight seconds of speech for each of the alarm messages.

While programming the speech dialler you link each message with the specific alarm type you wish to report. You then select a set of destinations for each message, and each destination corresponds to one of the telephone numbers you wish to call (see diagram below).

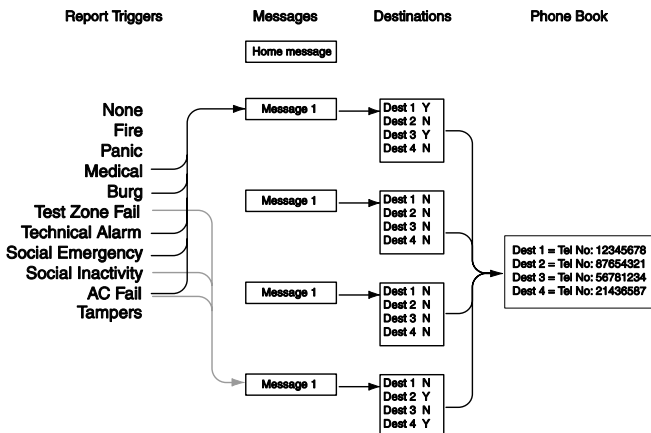


Figure 16. Speech Dialler Programming.

If a Social Emergency or Social Inactivity trigger starts a speech call then the control unit also opens a speech path to the called number.

The person receiving the speech messages can control the link by sending DTMF tones back to the control unit (usually by pressing buttons on the telephone key pad). The commands available are:

Function	Key
Talk	DTMF '2'
Listen	DTMF '1'
Toggle	DTMF '*'
End this call	DTMF '5'
Play 'Home' and 'alarm' message	DTMF '3'
Clear down	DTMF '9'

Call Mode

This option enables or disables the speech dialler feature. To employ speech dialling set the call mode to "Enabled".

Messages

To record the speech messages you wish the speech dialler to use enter Installer mode and select *Reporting, Speech Dialler, Messages*.

Select the message you want to record. If the message does not have any speech already recorded the display shows the Record Message option on its own. Press SELECT to start recording. The control unit starts recording from the built in microphone. The display shows a progress bar indicating how long you have left to record. Press DONE to end recording.

If the message already has some speech recorded then the display offers you the chance to play the existing speech message (to check what it says) or to delete it to make room for a new message.

Phone Book

To record the telephone numbers that you wish to use, select *Reporting, Speech Dialler, Phone Book*. (See "Destinations" on page 68 for instructions how to link messages to phone numbers.)

Highlight and select one of the telephone numbers.

The display shows the current digits of the selected telephone number.

Key in the telephone number. Press * to add a two second pause, if required. The display shows this as a comma.

Press DONE when you are happy that the number is correct.

The display then gives you a chance to key in a name for that number. The control unit will display this name in the phone book to help you remember what destination you wanted the message to go to.

Note that the last telephone number is labelled "Follow Me". The control unit makes this number available in the

User Menu. A user can enter a new telephone number in this slot at will. This allows the user to re-direct any speech message programmed for this slot.

Report Triggers

In the 7510r you can link up to five different trigger events to each speech message. A trigger event is one item selected from a list of alarm types.

To link specific trigger events to individual messages select *Alarms, Speech Dialler, Report Triggers*.

The display shows a list of voice messages. (Note that the home message does not appear. The control unit always sends the home message at the beginning of each transmission.) Select the message that you wish to program. The display then shows a list of five triggers.

Select a trigger and the display shows a list of available alarm events. Select one alarm event for that trigger. When you have selected an alarm event the display shows the list of triggers again. You may program one alarm event for each of the five triggers in the list.

When you finish selecting alarms for each trigger, you have now linked alarm events to triggers, and one or more triggers to a message.

Destinations

Once you have programmed telephone numbers, messages and triggers, you must then link specific messages to individual telephone numbers. To do this select *Reporting, Speech Dialler, Destinations*.

Select a message from the list on the display. The control unit will show you a list of telephone numbers. If you gave a telephone number a name then the display shows the name instead of the digits of the number.

Highlight a telephone number and press CHANGE until a "Yes" appears after the number. Press DONE when you have finished. The control unit will send the selected speech message to every telephone number with a "Yes" next to it.

Note: There are a total of five voice messages available. The control unit always sends the Home Message at the beginning of every speech report. The control unit then sends messages 1, 2, 3 or 4 to the telephone numbers you selected.

Call Acknowledge

If the called party answers a speech dialler call, then they can end the call by sending back a DTMF '5' (see page 62).

With Call Acknowledge **enabled** the control unit ends the call when it receives a DTMF '5'. If the control unit does not receive a DTMF '5' then it attempts to call again (up to three times).

With Call Acknowledge **disabled** the control unit stops further call attempts to that number as soon as it detects a call being answered. The called party can use DTMF '5' to close the call down.

Note that after receiving a DTMF '5' the control unit will go on to call any other programmed speech dialler numbers.

To prevent calls to other programmed speech dialler numbers the called party can acknowledge a call by sending back a DTMF '9'. When the control unit receives the '9' it stops all further call attempts.

SMS Reporting

The control unit can send alarm reports by SMS message to any of four telephone numbers. Each alarm report is a single SMS message, comprising:

- A Home Message and a text message. You must program the control unit with the content of these messages.

- The text of the log entry that corresponds to the event causing the alarm.

- The time and date of the alarm.

- The zone name of the zone causing the alarm.

The control unit sends the text in the Home Message to every telephone number you have programmed for SMS messages. The control unit also sends message 1 to telephone number 1, message 2 to telephone number 2, message 3 to telephone number 3 and message 4 to telephone number 4.

To link the messages to specific alarms, you must select a list of alarm events for each message while programming the system.

Call Mode

This option enables or disables SMS reporting. To employ SMS reporting set the call mode to "Enabled".

Messages

To set up the text of SMS messages select *Reporting, SMS, Messages*.

The display shows a list of the messages you can program. Highlight and select the required message and then key in the text.

The Home Message provides space for 12 characters. Use the this text to identify the control unit. Each numbered message provides space for 30 characters. Key in a message that relates to the type of alarm event you select as a trigger (See "SMS Triggers" on page 71).

Phone Book

To program the telephone numbers that the control unit will use for SMS message select *Reporting, SMS, Phone Book*. Highlight and select the telephone number you wish to program and key in the correct digits.

When you have completed keying in the telephone number press DONE. The display then allows you to give the telephone number a name. The control unit will display this name in the phone book to help you remember what destination you wanted the message to go to.

SMS Triggers

You can link a set of alarm events to each message. To link an event select *Reporting, SMS, SMS Triggers*.

Select a message from the list displayed on the screen. The control unit shows the phone number (or name) of the message destination, and a list of events. (Note that the display does not show an entry for the Home Message. The control unit sends the text in the Home Message at the beginning of every SMS message.)

Use ▲ or ▼ to highlight an event and then press CHANGE. The display shows a "Y" next to the event you have selected. Press CHANGE again to convert the "Y" to an "N". You can place a "Y" next to more than one event in the list. Press DONE when you have finished. The control unit will start sending an SMS message whenever it detects one of the events that you have marked with a "Y".

PSTN SMS

If you do not have a GSM module fitted, but are sending SMS messages by way of the PSTN line, then you must program some extra information under this menu.

Select *Reporting – SMS – PSTN SMS*.

The display shows the following options:

Protocol

This option allows you to select the protocol used by the Service Centre. The options available are: TAP 8N1, TAP 7E1, UCP 8N1 and UCP 7E1.

Service Centre Tel No

The option allows you to store the Service Centre's telephone number. Consult the technical support department of a mobile phone company that you wish to use. When asking for the service centre number ask which protocol they support. Press * to insert a two second pause, if required. The display shows this as a comma.

Own Tel No

Some Service Centres require the originating party's

telephone number before accepting a request to process a SMS message.

Line Fail Reporting

This menu lets you program the system to respond with either audible or silent alarms when the control unit detects a fault on one of its communication lines. To program Line Fail Reporting select *Reporting, Line Fail Reporting*.

If you have a GSM or ISDN module you can set up Line Fail reporting for either the PSTN line attached directly to the control unit, or for the attached module.

The exact response depends on whether the system is set or unset, as follows:

Disabled.

The control unit does not monitor the telephone line.

Audible.

If the system is unset then the system logs the event. The control unit produces a short audible tone every minute. Entering a valid access code silences the sounders and the display indicates a telephone line fault. The system can be set again with the line fault present.

If the system is set then the control unit logs the event but does not give any tone or display. The control unit cancels any programmed siren delay if the line is out of order when an alarm occurs.

Note: Audible response is the NSI recommendation for line fault.

Silent.

If the system is unset then the display indicates a telephone line fault and the control unit logs the event. The system may be set again with the line fault present.

If the system is set then the control unit does not give any indication or tone but does log the event. The control unit cancels any programmed siren delay if the line is out of order when an alarm occurs.

Primary Telecoms

This option allows you to choose which communication link the control unit will use first. If you select PSTN the control unit will always try to report on the PSTN line first, followed by any plug on module if the PSTN line fails.


If you choose Plug On then the control unit will try to use any plug on module to report alarms, and use an attached PSTN line if the plug on module fails.

Social Care

The Social Care option lets you program how the control unit uses any zones given the Activity Monitoring zone attribute (see page 22). If you wish the control unit to report a Social Care Alarm to a telephone number see page 62.

Start Monitoring At/End Monitoring At

You may not need a person or area to be monitored for the entire day. If you wish to limit Activity Alarm monitoring to a specific part of the day then select *Social Care Alarms, Start Monitoring At* to specify the start of the period, and *Social Care Alarms, End Monitoring At* to specify the end of the period.

When the control unit is monitoring an Activity Zone, the display shows a small icon () in the top right hand corner.

Monitoring Interval

If an Activity Alarm zone shows no activity for any time longer than the Monitoring Interval, then the control unit starts a social care alarm. To change the Monitoring Interval select *Social Care Alarms, Monitoring Interval*.

Set Volume

During a Social Care Alarm the control unit can open a speech path from the control unit to the called telephone (see page 62). The control unit plays speech from the telephone out through loudspeaker. The person at the called telephone can listen to any replies through the

control unit's microphone. If necessary you can change the volume of sound from the loudspeaker by selecting *Social Care Alarms, Set Volume* (see also "Controls and Connectors" Figure 4 item 9 on page 4 and "Remote Loudspeaker/Microphone on page 12).

Testing

If you think that part of the system is not working correctly then you can use the Test option to test various peripherals.

The Test option also lets you check the identity of Telecommands, Pendants and Tags.

To start testing, make sure the system is idle then:

1. Enter the User Menu and select Test.

The display shows the Test menu.

2. Select the part of the system that you wish to test.

You can test each part listed in the Test menu as follows:

Siren

Press On/Off to turn the siren on and off again. The display shows the word "On" when the siren operates.

Loudspeaker

Press On/Off to play a test message from the loudspeaker. The display shows the word "Playing" when you should be hearing the message.

Keypad

Press each key once. The display shows a character in response. Press both dual keys together to test. Press OK to end the test.

Walk test

The display shows a list of all the detectors installed on the system. Walk round and trigger each detector. Every time you trigger a detector the control unit gives a double tone. The display shows an "A" if you trigger the Alarm input and a "T" if you trigger the Tamper.

The top of the display shows the number of zones left to test (both Alarm and Tamper).

Press BACK to end the test.

Detector Signals

The display shows the current and lowest value of the received signal strengths from each learned radio transmitter.

Ext Siren Signals

The display shows a list of the received signal strengths from each 750r siren.

WAMs Signals

The display shows a list of the received signal strengths from each 770r module.

Arm Station Signals

The display shows a list of the received signal strengths from each 7525r arming station.

Outputs

The display shows a list of the outputs installed on the system. Select the output you wish to test. Press DONE to finish the test.

When you complete the test check that the output is still in the state you wish it to be in.

NOTE: Make sure no one tries to activate the radio output module using a telecommand or pendant when you perform the test.

Telecommands

Press any button on the telecommand. The display shows the identity and user of the telecommand, and the button that the control unit believes you pressed. Press all the buttons on the telecommand in turn.

Pendants

Press the button on the pendant. The display shows the identity and user assigned to the pendant.

Panic Alarms

Press both buttons on the panic alarm transmitter. The display shows the identity of the user assigned to the panic alarm.

Tag

Present the tag to the top left hand corner of the front of the control unit. The display shows the user assigned to the tag.

View Log

The control unit keeps a log of the last 350 events (for example, alarms and setting/unsetting). You can read the log when the system is completely unset.

1. Enter the Installer Menu and select View Log.
The display shows you the most recent log event.
2. Press ▲ or ▼ to scroll through the log.
▼ shows earlier events.
▲ shows more recent events.
3. Press EXPANDED to see details of the time and date for a particular event.
Press LIST to go back to the summary view.
4. Press BACK when you have finished reading the Log.

Appendix A: DD243 Compliance

Applicability

Please study this section if the following applies:

1. You are installing an alarm system in the United Kingdom.
2. The system has remote signalling and requires the local Police Authority to issue a URN (Unique Reference Number).
3. You have chosen to use "Sequential Alarm Confirmation" to comply with DD243: 2004.

Note: The installed system will only fully comply with the requirements of DD243: 2004 if it has been designed in accordance with this section.

Setting (Clause 6.3)

To comply with the subsections of DD243:2004 paragraph 6.3:

- 6.3a) Connect the final exit door shunt lock to a wired zone programmed as a keyswitch zone type. Program the partition belonging to that zone as "instant set".
- 6.3b) You cannot use an exit terminate button with Homelink 75.
- 6.3c) Program the exit mode as "final door set".
- 6.3d) Program a telecommand to set the required partitions. Program each partition as "instant set".

Unsetting (Clause 6.4)

The table below summarises which options to use within *System Options, Alarm Confirmation* to ensure compliance with DD243: 2004 paragraphs 6.4.2, 6.4.4 or 6.4.5.

DD243: 2004 Para:	6.4.2	6.4.4	6.4.5
Possible Installation	Unset from outside the premises using a keyswitch zone input – entry must be prevented until system is unset	Keypad and user access code	Portable ancillary control equipment – with the reader inside the premises
System Options Menu Item:			
Confirmation Used	DD243		
Entry Code Lockout	No	No	Yes
After Entry	Never	Never	Two zones

Note: When you enable Alarm Confirmation the control unit sets the confirm time to 30 minutes.

Homelink 75 cannot comply with DD243: 2004 paragraphs 6.4.3 or 6.4.6.

Sounders and Status Indication

Once you have enabled alarm confirmation, then the following menu options provide further facilities that may be useful in a DD243:2004 installation.

Command	Name	Value	Notes
<i>Outputs</i>	<i>Type</i>	Alarm Conf, Setting Complete	Use these two output types to indicate the status of the system.
<i>System Options</i>	<i>Panel Siren</i>	No	Use this option to disable the control unit siren.
<i>System Options, Alarm Confirmation</i>	<i>External Sounder for</i>	Any	Use this option to determine if the external sounder responds to confirmed or unconfirmed alarms.

BS 8473: 2006

In addition, if you wish the installation to comply with BS 8473 : 2006 then use the following commands:

Command	Name	Value	Notes
<i>System Options, User Access</i>	<i>Reset After Alarm</i>	N	Engineer Reset.
<i>System Options, Alarm Confirmation</i>	<i>Reset Unconf/Conf</i>	User/Installer	Allows users to reset the system after an unconfirmed alarm, but not after a confirmed alarm.

Alarm Filtering

The alarm system should either:

- a) Have the means to indicate to the Alarm Receiving Centre (ARC) whether the alarm system is set or unset (open and close signals).
or
- b) Be capable of generating a secondary signal identifiable at the ARC as a mis-operation signal (Alarm Abort).

To generate open, close, alarm confirm and alarm abort signals in SIA or CID select *Reporting, Alarms, SIA Report Mode, Summary* (see page 57).

To generate those signals in Fast Format you must reassign the alarm confirmation and zone omitted events to two of the eight available channels (see page 56).

Appendix B: Glossary

- Alert An icon (⚠) shown on the display to draw the user's attention to a change in the system status that may require some user action.
- ARC Alarm Receiving Centre.
- GSM Groupe Spécial Mobile. The mobile phone standard used throughout Europe and many other parts of the world.
- ISDN Integrated Services Digital Network.
- PA Panic Alarm (sometimes called "Personal Attack").
- PSTN Public Switched Telephone Network.
- SMS Short Message Service. The "text message" service offered on many mobile phones.

www.coopersecurity.co.uk
Product Support (UK) Tel: +44 (0) 870 757 5400.
Available between:
08:15 and 17:00 Monday to Friday.
Product Support Fax: (01594) 545401
Part Number 11709410 Issue 1