

9200/9205/9210/9215 Installation and User Guide



Compatible Equipment:

9040	Internal Sounder
660	Speech Communicator
9220	Remote Keypad for 9210 and 9215
8506	Eurobell

Introduction

The 9200 series comprises four variants of a common circuit design. All variants are microprocessor based, and programmed using a membrane type keypad. A standard 12" x 9" x 3" metal enclosure houses the main PCB, power supply and stand-by battery.

The variants are:

9200	Basic unit with integral keypad and internal sounder.
9210	Basic unit with remote keypad but no internal sounder.
9205	Control panel with digital communicator, integral keypad and internal sounder.
9215	Control panel with digital communicator, with remote keypad and no internal sounder.

Note: This series of panels can only connect to one keypad, either on board or as a remote keypad.

All versions comply with BS4743 Parts 1 and 2.

S.A. Bell Connection

All variants provide 4 terminals for connection to an S.A. Bell Module. These are:

1. + TRIG, hold off supply.
2. TRIG, - trigger to bell.
3. OV, hold off supply.
4. TR, - VE tamper return from module.

Note:

1. *If no S.A. Bell Module is fitted, S.A. terminals OV and TR (tamper return) should be linked.*
2. *Strobe can be connected through Alarm relay.*

9200

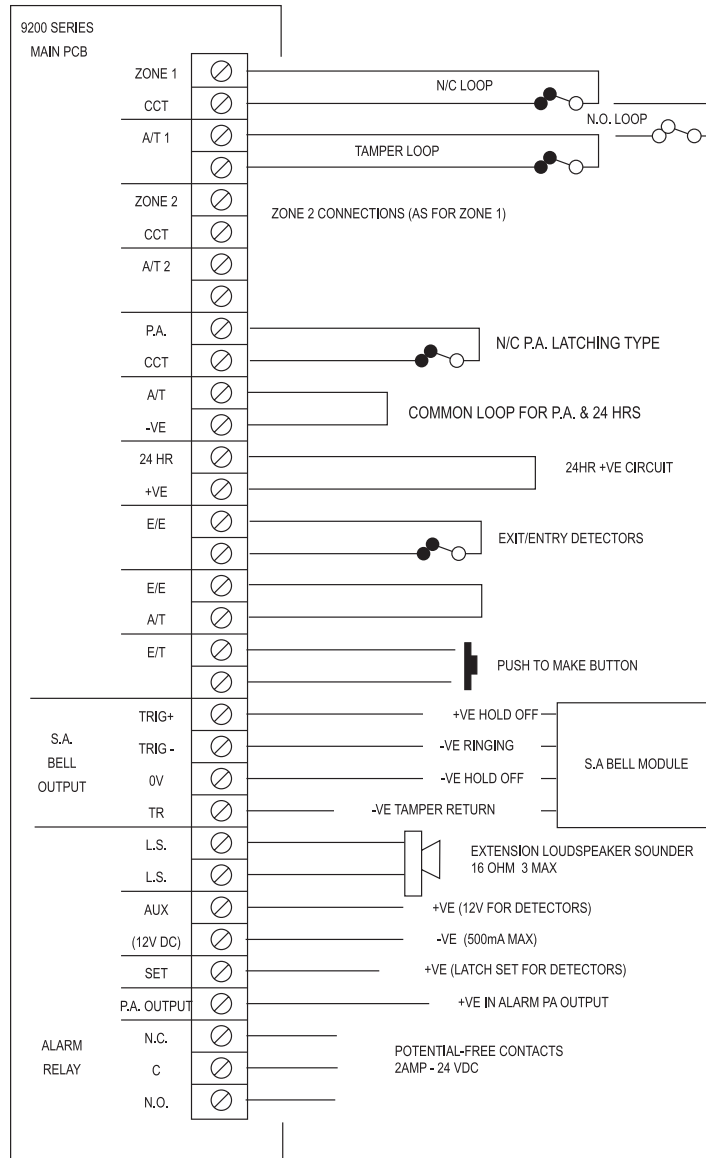


Figure 1. 9200 Connection Diagram

9205

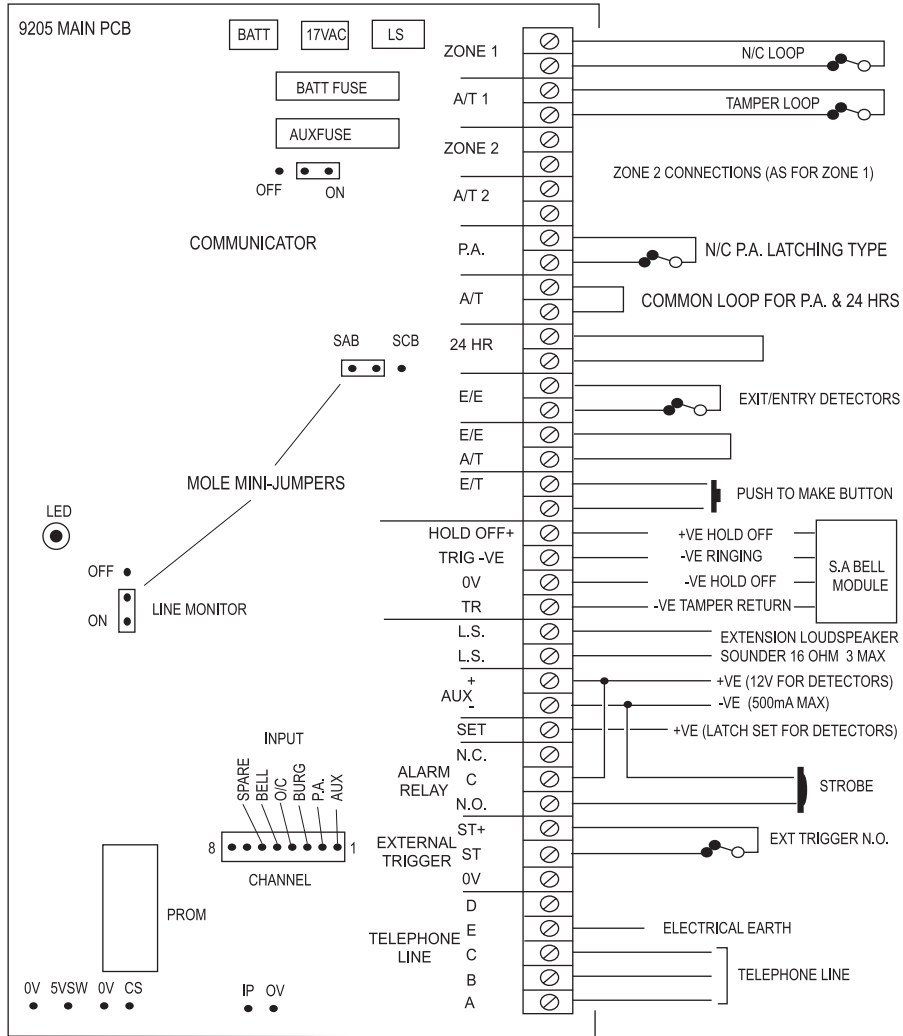


Figure 2. 9205 Connection Diagram

9210

The 9210 is the standard remote keypad variant. Figure 3 shows the control panel connections.

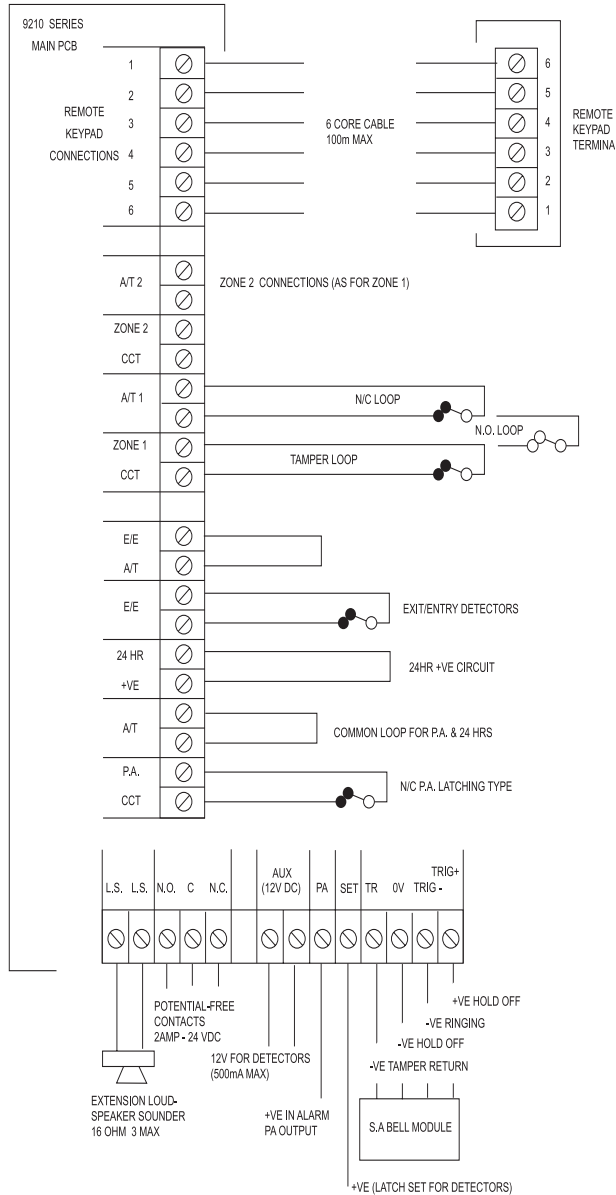


Figure 3. 9210 Connections

Note: This control panel does not include an internal loudspeaker and therefore a remote speaker unit must be installed (Part No. 9040).

Figure 4 shows the keypad connections. Use 6 core cable (100m max) to connect to the main control box.

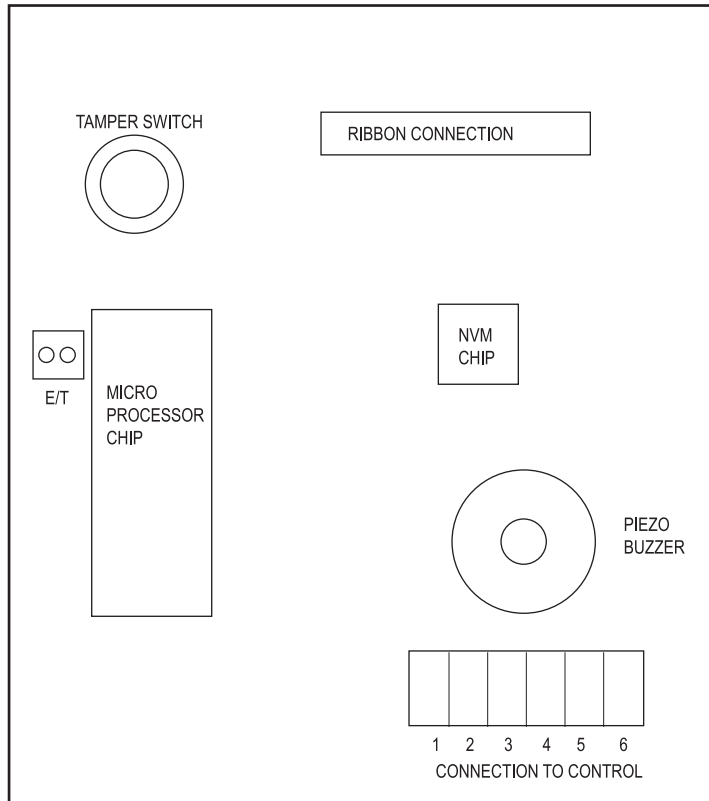


Figure 4. Keypad connections

The keypad contains:

- a) An NVM (nonvolatile memory) chip which retains the programmed information in the event of a total power failure.
- b) A small piezo buzzer to give out keypress bleeps and exit entry tones.

Note: The polycarbonate version has a keyboard which is illuminated when the first number of the access code is pressed

9215

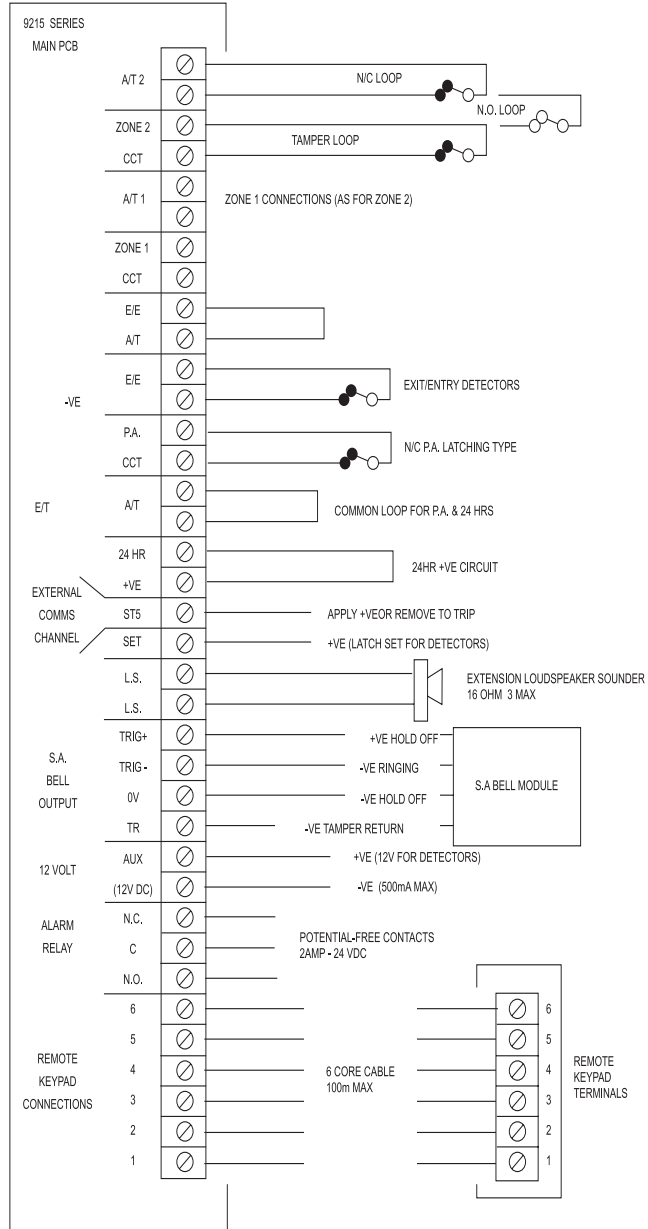


Figure 5. 9215 Connections

Communicator

Connect the communicator to the telephone line using the 5 way terminal block provided on 9210 and 9215. The connections are marked:

A	BT line
B	BT line
C	Bell Suppression
D	Not Used
E	Electrical Earth

An external trigger is provided marked ST5. a +VE is required to initiate this channel.

The alarm and P.A. triggers are built-in and are dedicated channels 2 & 3.

The communicator section has an integral 24 hour line monitor. If the BT line voltage falls below 2.4V the 'Tamper LED' will flash. This does not prevent the control panel being armed but in the event of an alarm occurring any bell delay which has been selected will be overridden.

The line monitor 'on-off' selection pins are located adjacent to the microprocessor. This allows the installer to isolate the line monitor when no BT line is available.

The communicator requires a programmed "prom" which is blown on the 7100 programmer. It is important that the channel inputs are programmed for +VE applied and latched as the P.A. and intruder channels are dedicated to the communicator from the control section.

Note: When inserting the 'PROM' remove all power from the control panel. Make sure you fit the PROM the correct way round: white spot to white spot.

PROGRAMMING

Initial Power Up

1. Close up control panel.
2. Power up mains supply first.
3. Key In 1,2,3,4.
4. Key In 0 Enter 7890.

Note: Ensure the lid is open (models 9200 and 9205) or the keypad cover is open (model 9210 and 9215) during programming commands are not accepted unless the lid/cover anti-tamper circuit is open. The following commands are verified by two short bleeps to confirm that a command has been accepted.

Return to Factory Defaults

In the event of either an end user misplacing his/her access code or if the memory becomes corrupt you should carry out the following procedure:

1. Power down control panel both battery and mains.
2. Remove the NVM chip.

Note: On 9210 or 9215 this is located in the remote keypad.

3. Power up control panel.
4. Key in 1234.
5. Key in 0 enter 7890.
6. Refit NVM chip and reprogram panel.

Engineering Program Commands

To change:	Key-in	Followed by + ENTER	Default
Engineer Code	20 ENTER	new code (4 digits)	7890
Customer Code	21 ENTER	new code (4 digits)	1234
Silent PA	30 ENTER	0 = No 1 = Yes	✓
Engineer Reset	32 ENTER	0 = No 1 = Yes	✓
Zone 2 Entry Route	36 ENTER	0 = No 1 = Yes	✓
Auto Re-Arm	40 ENTER	0 =Never rearm 1 =Never 2 =Once 3 =Twice 4 =Three times 5 =Four times 6 =Five times 7 =Six times 8 =Always	✓
Bell Delay	41 ENTER	1 =Nil 2 =1.5 minutes 3 =3 minutes 4 =5 minutes 5 =10 minutes 6 =15 minutes 7 =20 minutes 8 =Endless	✓
Bell Time	42 ENTER	see command 41	Endless

To change:	Key-in	Followed by + ENTER	Default
Entry time	43 ENTER	1 =20 seconds	
		2 =40 seconds	
		3 =1 minute	
		4 =2 minutes	
		5 =3 minutes	
		6 =4 minutes	
		7 =10 minutes	✓
		8 =Endless	
Exit time	44 ENTER	1 =10 seconds	
		2 =20 seconds	
		3 =30 seconds	
		4 =1 minute	
		5 =1.5 minutes	
		6 =2 minutes	
		7 =5 minutes	✓
		8 =10 minutes	
Engineer Walk Test	97 ENTER	Press Omit to stop	
Leave Programming	99 ENTER	Use also for Engineer Reset.	

User Commands

Set/Unset System	User code
Part Set	User code + OMIT2 + ENTER
Test Bells	BELL TEST + ENTER + User code
Walk Test	WALK TEST + ENTER User code User code to end test
Change User code	6 + ENTER current user code new user code + ENTER